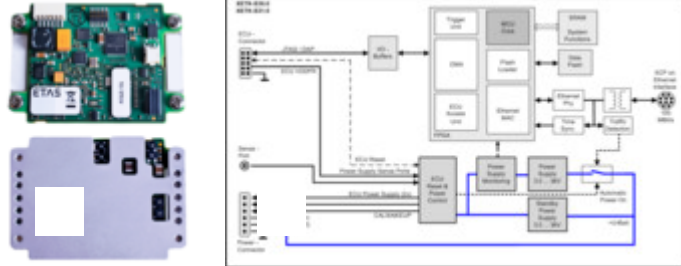


XETK-S31.0



CPU interface

Supported processors	NXP* MPC57xx and ST Microelectronics SPC/EMU57xx/58xx and SPC58x families (* former Freescale)
----------------------	--

For a complete list of supported microprocessors, please refer to the product's User's Guide.

Configuration	Project-specific configuration for memory configurations stored in EEPROM
---------------	---

Board

Dimensions (HxWxD)	11.8 x 45 x 40 mm / 0.465 x 1.772 x 1.575 in (11.8 x 57 x 40 mm / 0.465 x 2.244 x 1.575 in - with mounting holes)
--------------------	--

Power supply

Input voltage	4.3 V to 36 V
---------------	---------------

Cranking voltage < 3 sec: 3V

Input current at 12 V	approx. 135 mA normal operation
-----------------------	---------------------------------

approx. 35 mA normal stand-by

Memory emulation

Emulation memory Processor-specific

Measured data
memory Processor-specific

Host interface

Serial interface 100 Mbit/s

Double-shielded line, max. 30 m/100 ft

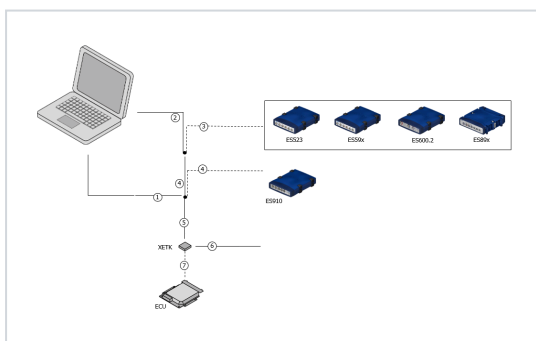
Electrically isolated

Operation temperature

Temperature range -40 °C to +110 °C / -40 °F to +230 °F

This product has been developed and released for use in automotive applications. For usage in other domains please contact your ETAS representative.

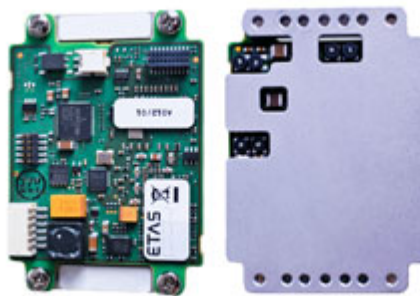
Ordering Information



- 1 – Ethernet PC Connection
- 2 – Ethernet PC Connection - Adapter Cable
- 3 – Ethernet Connection - Adapter Cable
- 4 – Ethernet Connection

- 5 – XETK Connection
- 6 – Power Supply Connection
- 7 – ECU Connection

Order Name	Short Name	Order Number
XETK-S31.0		
XETK-S31.0C Emulator Probe for the NXP* MPC57xx and ST Microelectronics SPC/EMU57xx/58xx and SPC58x microcontroller families	XETK-S31.0C	F-00K-109-304



Optional Accessories

1 – Ethernet PC Connection

Ethernet PC Connection Cable 1 Gbit/s, Lemo 1B FGE - RJ45 (10mc-8mc), 3 m	CBE200-3	F-00K-104-373
--	----------	---------------



Ethernet PC Connection Cable 1 Gbit/s, Lemo 1B FGE - RJ45 (10mc-8mc), 8 m	CBE200-8	F-00K-104-374
--	----------	---------------



2 – Ethernet PC Connection - Adapter Cable (CBAE200)

Ethernet Connection Adapter Cable 1 GBit/s, Lemo 1B PHE - RJ45 (10fc- 8mc), 1m2	CBAE200-1m2	F-00K-105-760
--	-------------	---------------



3 - Ethernet Connection - Adapter Cable (CBAE330)

(ES523, ES59x, ES600.2, ES88x, ES89x)

Ethernet Connection Adapter Cable 1 GBit/s to 100

MBit/s, Lemo 1B PHE - Lemo 1B FGF (10fc-8mc), CBAE330-0m5 F-00K-105-759
0m5



4 - Ethernet Connection

(ES523, ES59x, ES600.2, ES88x, ES89x, ES910)

Ethernet Connection Cable 1 GBit/s, Lemo 1B FGE -
Lemo 1B FGE (10mc- 10mc), 3 m

CBE230-3

F-00K-105-757



Ethernet Connection Cable 1 GBit/s, Lemo 1B FGE -
Lemo 1B FGE (10mc- 10mc), 8 m

CBE230-8

F-00K-105-758



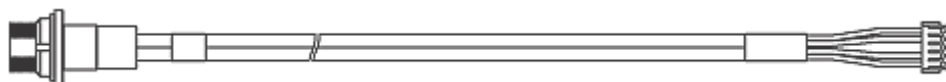
5 - XETK Connection

XETK ECU Adapter Cable, 100 Mbit/s, Shield on

ECU-Housing, Lemo 1B HME - JST PHR (10fc-5fc),
0m38

CBAM230-0m38

F-00K-105-791



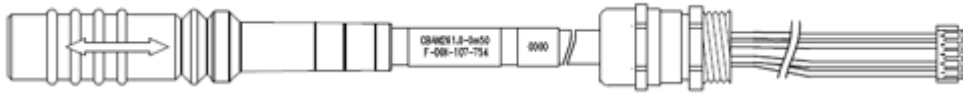
XETK ECU Adapter Cable, 100 MBit/s, Lemo 1B PHE
- JST PHR (10fc-5fc), 0m6

CBAM240-0m6

F-00K-105-792

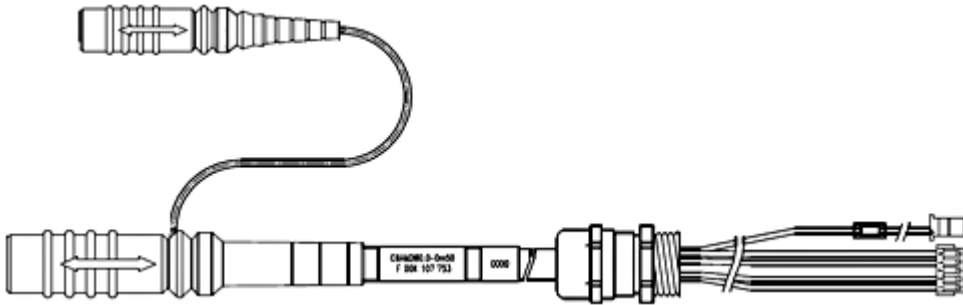


XETK ECU Adapter Cable, pre-assembled into PG9 screwing, shield on ECU- Housing, Lemo 1B PHE - CBAM271-0m5 F-00K-107-867
JST PHR (10fc-5fc), 0m50

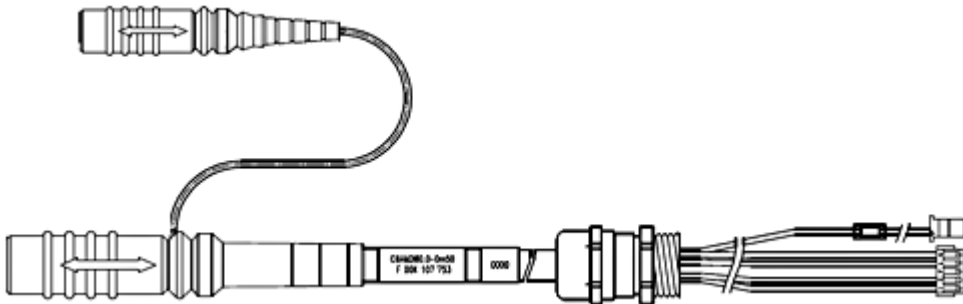


5&6 - XETK and Power Supply Connection

XETK ECU Adapter and Power Supply Cable, pre-assembled into PG9 screwing, shield on ECU- Housing, Lemo 1B PHE - JST PHR (10fc-5fc) / Lemo 0B PHG - JST PAP (2fc-2fc), 0m50 CBAM270-0m5 F-00K-107-866



XETK ECU Adapter and Power Supply Cable, pre-assembled into PG9 screwing, shield on ECU- Housing, Lemo 1B PHE - JST PHR (10fc-5fc) / Lemo 0B PHG - JST PAP (2fc-2fc), 0m70 CBAM270-0m7 F-00K-108-479



6 - Power Supply Connection

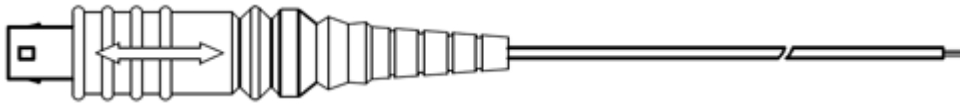
ETK Power Supply Cable for External Supply, with Filter Coil, Lemo 0B EGG - open wire (2fc-1c), 0m2 KA50 F-00K-000-940



External Power Supply Cable for ETKs, Lemo 0B -
FGG open wires (2fc-1c), 2 m

K70.1

F-00K-109-270



7 - ECU Connection

ETAM2 ETK ECU Adapter, MOLEX - open wires (6fc
- 6c), 0m25

ETAM2

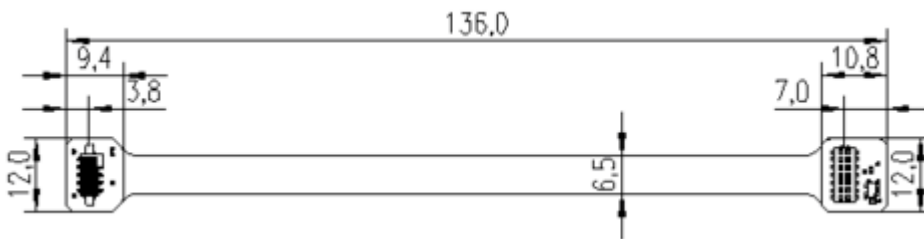
F-00K-109-306



ETAM3 ETK ECU Adapter, ERNI - SAMTEC (12fc -
10fc), 0m11

ETAM3

F-00K-109-673



ETAM5 FETK ECU Adapter, MOLEX - MOLEX (6fc -
5fc+1c), 0m136

ETAM5

F-00K-110-101



ECU Connection Protection Cap (for CBAM230, CBAM240)

Cap to protect open Lemo 1B sockets against dirt,
cost effective

CAP_LEMO_1B_LC

F-00K-105-683



Note: This list contains only a selection of available adapters. A comprehensive overview is available in the User Guide of each ETK.

