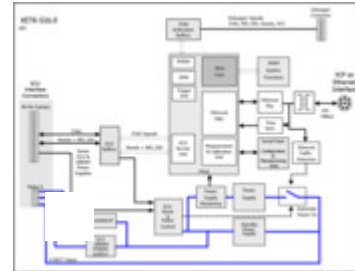
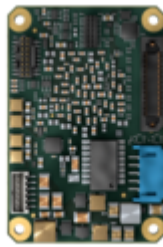


## XETK-S23



### CPU interface

---

Supported processors

Texas Instruments C2000

For a complete list of supported microprocessors, please refer to the product's User's Guide.

Configuration

Project-specific configuration for memory configurations stored in EEPROM

### Board

---

Dimensions (HxWxD)

approx. 10.51 x 40 x 60 mm / 0.414 x 1.575 x 2.362 in

Power supply

Input voltage

6 V to 36 V

Cranking voltage < 3 sec: 3 V

Input current at 12 V

approx. 165 mA normal operation

approx. 70 mA stand-by

Memory emulation

---

---

Emulation memory    Processor-specific

---

Measured data  
memory                Processor-specific

---

Host interface

---

Serial interface        100 Mbit/s

---

Double-shielded line, max. 30 m/100 ft

---

Electrically isolated

---

Operation temperature

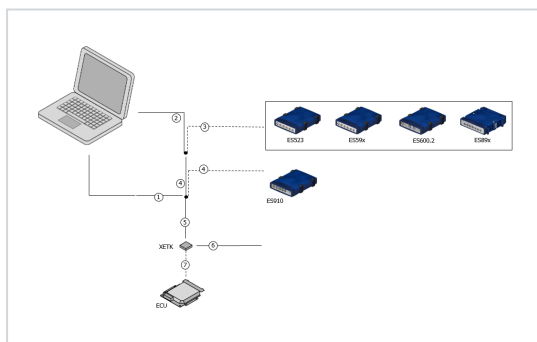
---

Temperature range    -40 °C to +110 °C / -40 °F to +230 °F

---

This product has been developed and released for use in automotive applications. For usage in other domains please contact your ETAS representative.

## Ordering Information



- 1 – Ethernet PC Connection
- 2 – Ethernet PC Connection - Adapter Cable
- 3 – Ethernet Connection - Adapter Cable
- 4 – Ethernet Connection
- 5 – XETK Connection
- 6 – Power Supply Connection
- 7 – ECU Connection

Order Name	Short Name	Order Number
------------	------------	--------------

---

XETK-S23

---

XETK-S23.0A Emulator Probe for the Texas Instruments C2000 microprocessor family, including gap pad

XETK-S23.0A

F-00K-114-164



---

Optional Accessories

### 1 - Ethernet PC Connection

---

Ethernet PC Connection Cable 1 Gbit/s, Lemo 1B FGE - RJ45 (10mc-8mc), 3 m

CBE200-3

F-00K-104-373



---

Ethernet PC Connection Cable 1 Gbit/s, Lemo 1B FGE - RJ45 (10mc-8mc), 8 m

CBE200-8

F-00K-104-374



### 2 - Ethernet PC Connection - Adapter Cable (CBAE200)

---

Ethernet Connection Adapter Cable 1 GBit/s, Lemo 1B PHE - RJ45 (10fc- 8mc), 1m2

CBAE200-1m2

F-00K-105-760



### 3 - Ethernet Connection - Adapter Cable (CBAE330)

(ES523, ES59x, ES600.2, ES88x, ES89x)

Ethernet Connection Adapter Cable 1 GBit/s to 100

MBit/s, Lemo 1B PHE - Lemo 1B FGF (10fc-8mc),  
0m5

CBAE330-0m5

F-00K-105-759



### 4 - Ethernet Connection

(ES523, ES59x, ES600.2, ES88x, ES89x, ES910)

Ethernet Connection Cable 1 GBit/s, Lemo 1B FGE -

Lemo 1B FGE (10mc- 10mc), 3 m

CBE230-3

F-00K-105-757



Ethernet Connection Cable 1 GBit/s, Lemo 1B FGE -

Lemo 1B FGE (10mc- 10mc), 8 m

CBE230-8

F-00K-105-758



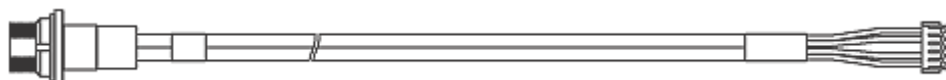
### 5 - XETK Connection

XETK ECU Adapter Cable, 100 Mbit/s, Shield on

ECU-Housing, Lemo 1B HME - JST PHR (10fc-5fc),  
0m38

CBAM230-0m38

F-00K-105-791



XETK ECU Adapter Cable, 100 MBit/s, Lemo 1B PHE

- JST PHR (10fc-5fc), 0m6

CBAM240-0m6

F-00K-105-792



---

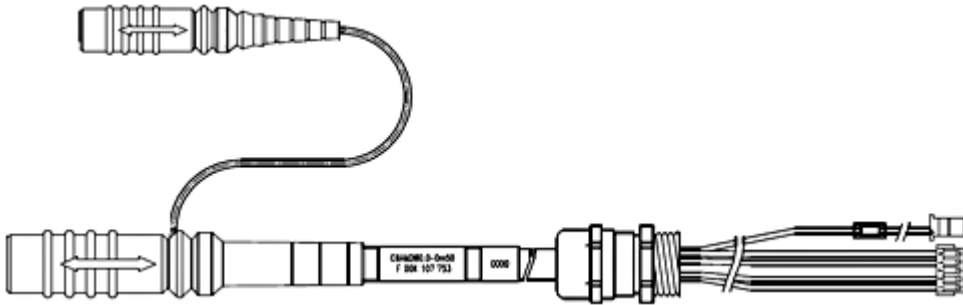
XETK ECU Adapter Cable, pre-assembled into PG9 screwing, shield on ECU- Housing, Lemo 1B PHE - CBAM271-0m5 F-00K-107-867  
JST PHR (10fc-5fc), 0m50



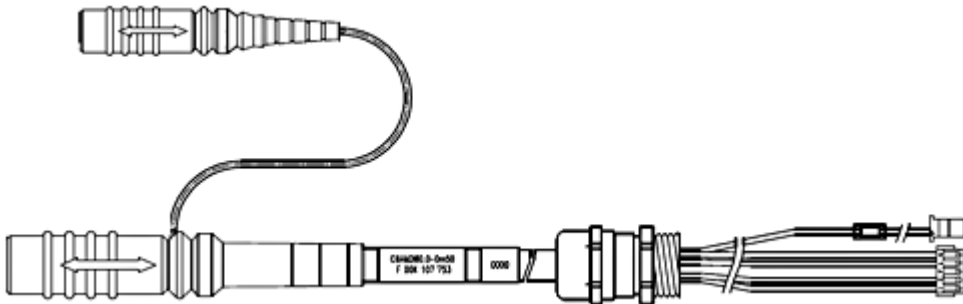
### 5&6 - XETK and Power Supply Connection

---

XETK ECU Adapter and Power Supply Cable, pre-assembled into PG9 screwing, shield on ECU- Housing, Lemo 1B PHE - JST PHR (10fc-5fc) / Lemo 0B PHG - JST PAP (2fc-2fc), 0m50 CBAM270-0m5 F-00K-107-866



XETK ECU Adapter and Power Supply Cable, pre-assembled into PG9 screwing, shield on ECU- Housing, Lemo 1B PHE - JST PHR (10fc-5fc) / Lemo 0B PHG - JST PAP (2fc-2fc), 0m70 CBAM270-0m7 F-00K-108-479



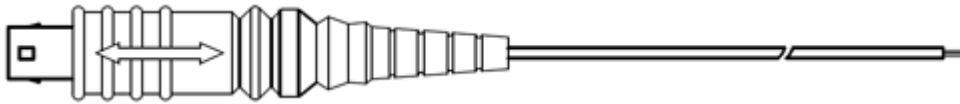
### 6 - Power Supply Connection

---

ETK Power Supply Cable for External Supply, with Filter Coil, Lemo 0B EGG - open wire (2fc-1c), 0m2 KA50 F-00K-000-940



External Power Supply Cable for ETKs, Lemo 0B - FGG open wires (2fc-1c), 2 m	K70.1	F-00K-109-270
---	-------	---------------



## 7 - ECU Connection

ETAM2 ETK ECU Adapter, MOLEX - open wires (6fc - 6c), 0m25	ETAM2	F-00K-109-306
---	-------	---------------



ETAM5 FETK ECU Adapter, MOLEX - MOLEX (6fc - 5fc+1c), 0m136	ETAM5	F-00K-110-101
--	-------	---------------



ETAM9 XETK/FETK ECU Adapter, MOLEX - MOLEX (6fc - 5fc), 0m136	ETAM9	F-00K-111-043
--	-------	---------------



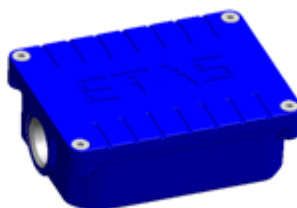
ETAN20A XETK ECU adapter, SAMTEC - SAMTEC (40mc - 20mc), 0m1	ETAN20A	F-00K-112-870
---	---------	---------------

## Mechanical Accessories

Gap Pad for heat dissipation as spare part for the XETK-S22	XETK-S22_GP	F-00K-111-041
--	-------------	---------------

## Housing

Water-proof case, designed for ETK-S4.x, ETK- S6.x and ETK-S2x	ETKS_C3	F-00K-107-683
---	---------	---------------



## ECU Connection Protection Cap (for CBAM230, CBAM240)

---

Cap to protect open Lemo 1B sockets against dirt,  
cost effective

CAP\_LEMO\_1B\_LC F-00K-105-683

