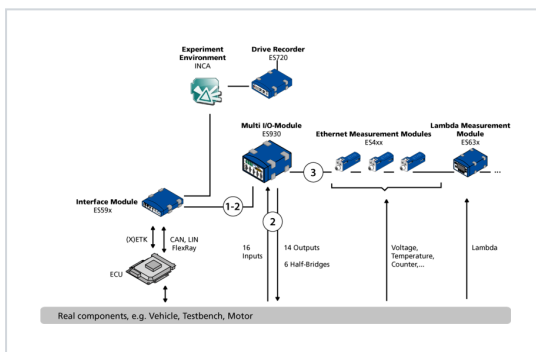
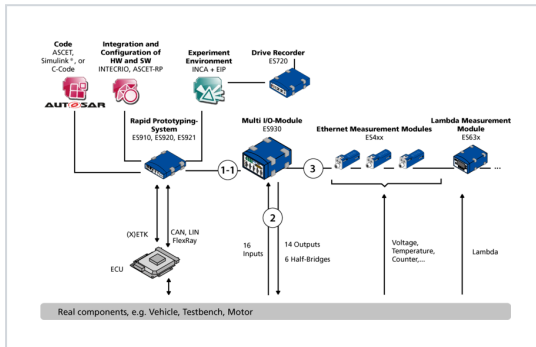


Ordering Information



1-1 – Power Supply and Ethernet Connection to ES910

1-2 – Power Supply and Ethernet Connection to ES592 / ES593-D / ES595

2 – Input/Output Cable

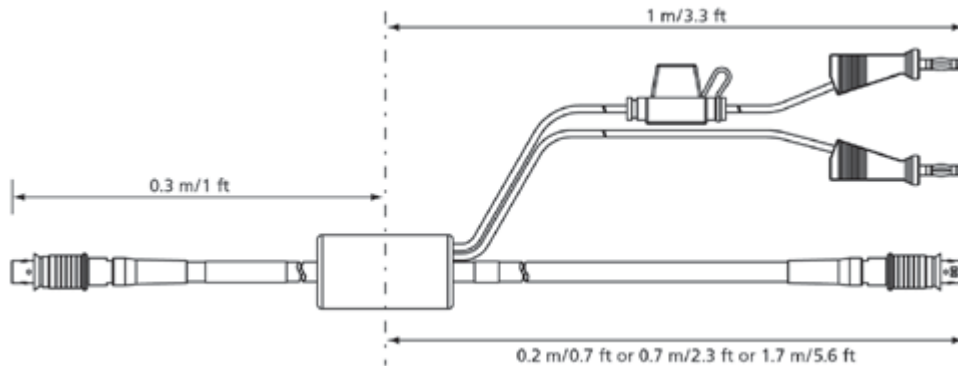
3 – Power Supply and Ethernet Connection Cable to ES4xx or ES63x

Order Name	Short Name	Order Number
ES930		
Multi-IO Module	ES930.1	F-00K-104-250
Optional Accessories for ES930		
Calibration service for ES930	A_ES930	F-00K-106-991

1-1 – Power Supply and Ethernet Connection to ES910

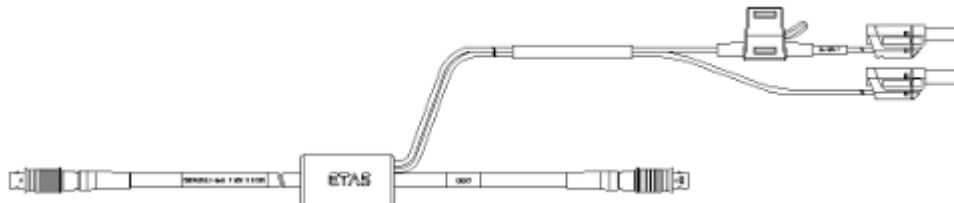
Ethernet Chain Connection and Power Supply

Cable, Lemo 1B FGL - Lemo 1B FGA - Banana (8fc-8mc+2mc), 0m5 CBEP430.1-0m5 F-00K-104-928



Ethernet Chain Connection and Power Supply

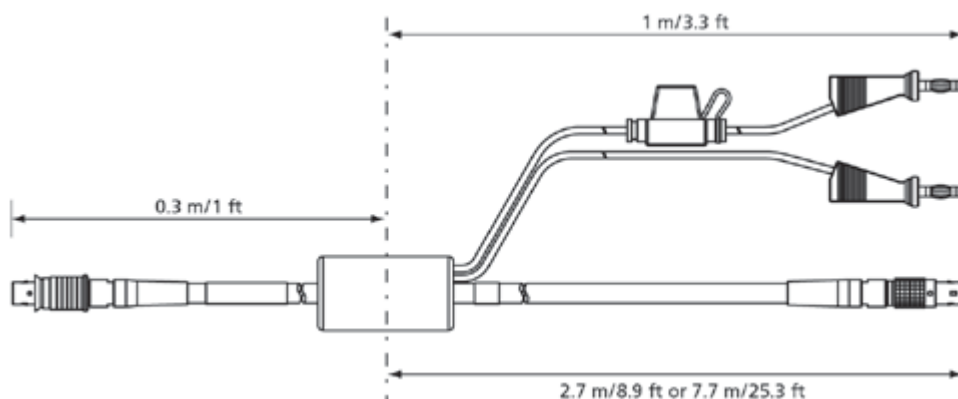
Cable, Lemo 1B FGL - Lemo 1B FGA - Safety Banana CBEP4305.1-0m5 F-00K-110-030
(8fc-8mc+2mc), 0m5



1-2 – Power Supply and Ethernet Connection to ES592 / ES593-D / ES595

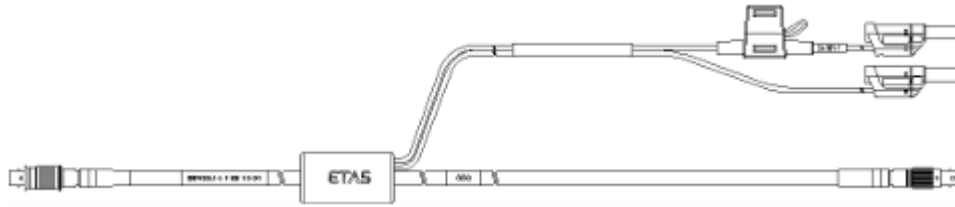
Ethernet Connection and Power Supply Cable,

Lemo 1B FGF - Lemo 1B FGL - Banana (8mc-8fc+2mc), 3 m CBEP420.1-3 F-00K-105-292



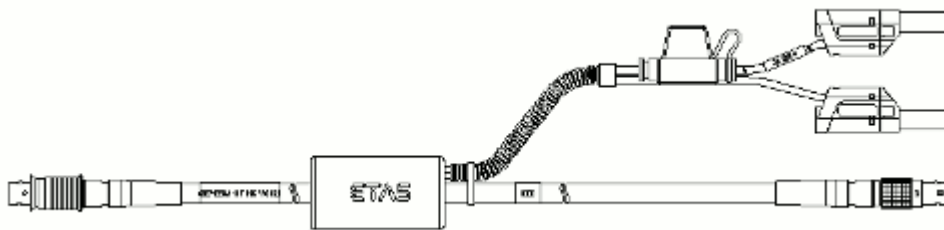
Ethernet Connection and Power Supply Cable,

Lemo 1B FGF - Lemo 1B FGL - Safety Banana (8mc-8fc+2mc), 3 m CBEP4205.1-3 F-00K-110-041



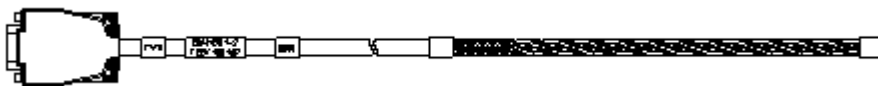
Ethernet Connection and Power Supply Cable,
Lemo 1B FGF - Lemo 1B FGL - Banana (8mc-
8fc+2mc), 3 m CBEP425.1-3 F-00K-105-972

Ethernet Connection and Power Supply Cable,
Lemo 1B FGF - Lemo 1B FGL - Safety Banana (8mc-
8fc+2mc), 3 m CBEP4255.1-3 F-00K-110-029

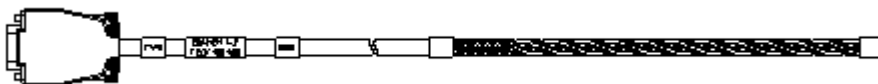


2 - Input/Output Cable

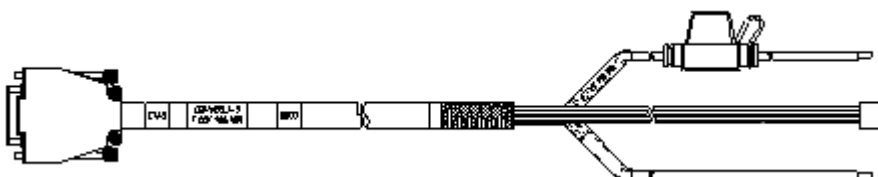
ES930 Input Cable, DSUB - Open Wire (15fc - 15c),
2 m / 6.5 ft CBAV420.1-2 F-00K-106-987



ES930 Output Cable, DSUB - Open Wire (9fc - 9c),
2 m / 6.5 ft CBAV421.1-2 F-00K-106-988



ES930 Power Stage Cable, DSUB - Open Wire
(26mc-26c), 2 m / 6.5 ft CBAV422.1-2 F-00K-106-989

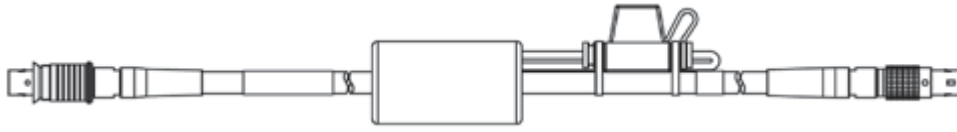


3 - Power Supply and Ethernet Connection Cable to ES4xx or ES63x

Ethernet PC Connection Cable, Lemo 1B FGF -
Lemo 1B FGL (8mc-8fc), 3 m

CBE400.2-3

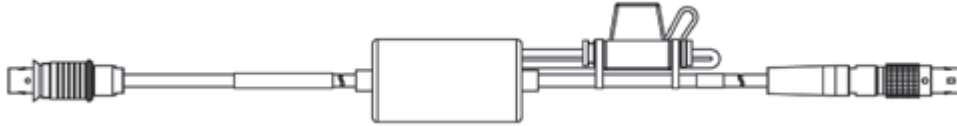
F-00K-104-920



Ethernet PC Connection Cable, Highly Flexible,
Lemo 1B FGF - Lemo 1B FGL (8mc-8fc), 0m5

CBE401.1-0m5

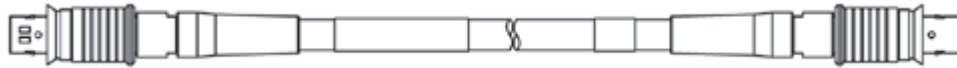
F-00K-106-128



Ethernet Chain Connection Cable, Lemo 1B FGA -
Lemo 1B FGL (8mc-8fc), 0m45

CBE430.1-0m45

F-00K-104-923



Ethernet Chain Connection Cable, Highly Flexible,
Lemo 1B FGA - Lemo 1B FGL (8mc-8fc), 0m14

CBE431.1-0m14

F-00K-105-676



Ethernet Chain Connection Cable, Highly Flexible,
Lemo 1B FGA - Lemo 1B FGL (8mc-8fc), 0m3

CBE431.1-0m3

F-00K-105-685



Ethernet Extension Cable, Lemo 1B PHL - Lemo 1B
FGL (8mc-8fc), 3 m

CBEX400.1-3

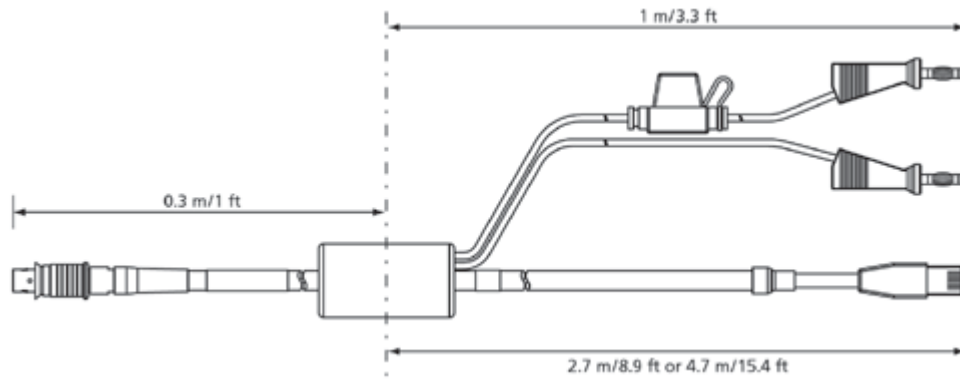
F-00K-105-294



Ethernet PC Connection and Power Supply Cable,
Lemo 1B FGL - RJ45 - Banana (8fc-8mc+2mc), 3 m

CBEP410.1-3

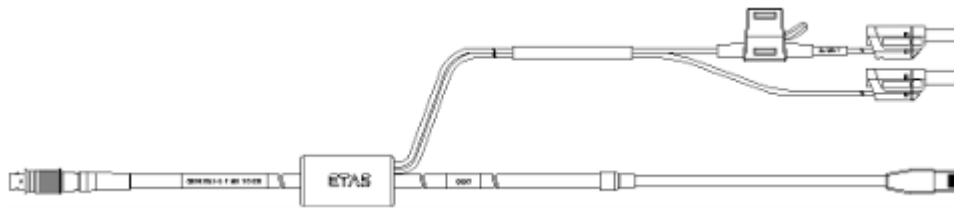
F-00K-104-927



Ethernet PC Connection and Power Supply Cable,
Lemo 1B FGL - RJ45 - Safety Banana (8fc-
8mc+2mc), 3 m

CBEP4105.1-3

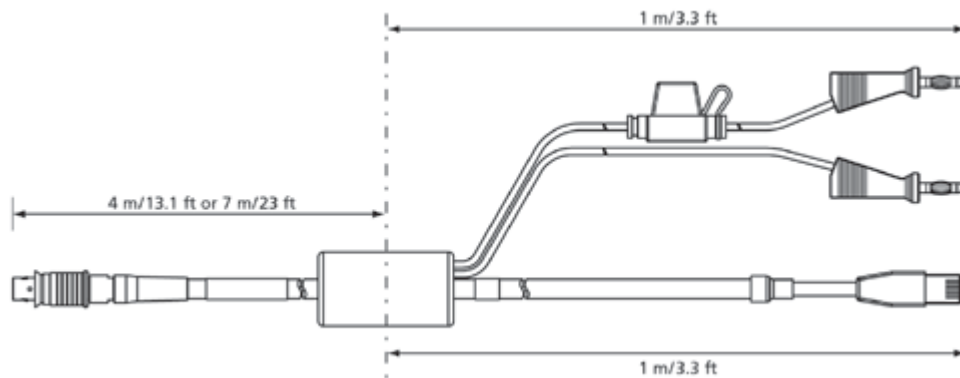
F-00K-110-026



Ethernet PC Connection and Power Supply Cable,
Power Feeder close to PC, Lemo 1B FGL - RJ45 -
Banana (8fc-8mc+2mc), 5 m

CBEP4151.1-5

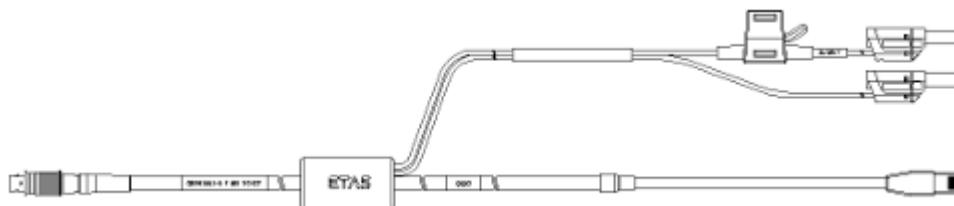
F-00K-105-680



Ethernet PC Connection and Power Supply Cable,
Power Feeder close to PC, Lemo 1B FGL - RJ45 -
Safety Banana (8fc-8mc+2mc), 5 m

CBEP4155.1-5

F-00K-110-027



Protection Caps for Unused Connectors

Cap to protect open Lemo 1B sockets against dirt CAP_LEMO_1B F-00K-105-298

Cap to protect open Lemo 1B sockets against dirt,
cost effective CAP_LEMO_1B_LC F-00K-105-683



Note: The product CDs containing the software installations are delivered separately from the required software licenses.

Custom cables can be produced according to your specifications. For more information on custom cables, please contact your local ETAS sales representative.