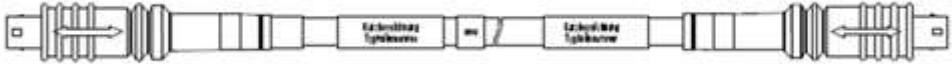
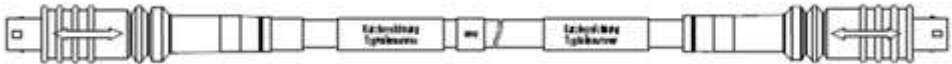



FETK Connection

Order Name	Length	Short Name	Order Number
FETK Connection			
1 – ES89x Interface Cable			
1 GBit/s Ethernet Connection and Power Supply Cable, Lemo 1B FGM - Lemo 1B FGH (10fc-10mc), 3 m	3.00 m 9.84 ft	CBE260.1-3	F-00K-109-446
			
1 GBit/s Ethernet Connection and Power Supply Cable, Lemo 1B FGM - Lemo 1B FGH (10fc-10mc), 8 m	8.00 m 26.25 ft	CBE260.1-8	F-00K-109-447
			
2 – ECU Adapter Cable			
FETK ECU Adapter Cable, pre-assembled into PG9 screwing, shield on ECU Housing, Lemo 1B PHM - JST SHR (10mc-9fc), 0m60	0.60 m 1.97 ft	CBAM300.3-0m6	F-00K-112-469
			

FETK ECU Adapter Cable, shield on ECU-
Housing, Lemo 1B PHM - JST SHR (10mc-
9fc), 0m60

0.60 m
1.97 ft

CBAM340.1-0m6 F-00K-109-302



Power Supply and ECU Connection

Power Supply and ECU Connection cables can be found in the ordering information of the specific [FETK product pages](#).

Custom cables can be produced according to your specifications. For more information on custom cables, please contact your [local ETAS sales representative](#).

