

ETAS CBAM295.1-0m6, -1m8

FETK/BR_XETK ECU Adapter and Power Supply Cable, pre-assembled into M12 screwing, shield on ECU housing, Lemo 1B PHA - MOLEX (2fc-2fc) / Lemo 1B PHG -open wire (2fc-1c), 0m60, 1m8

 Data Sheet

Copyright

The data in this document may not be altered or amended without special notification from ETAS GmbH. ETAS GmbH undertakes no further obligation in relation to this document. The software described in it can only be used if the customer is in possession of a general license agreement or single license. Using and copying is only allowed in concurrence with the specifications stipulated in the contract.

Under no circumstances may any part of this document be copied, reproduced, transmitted, stored in a retrieval system or translated into another language without the express written permission of ETAS GmbH.

© Copyright 2023 ETAS GmbH, Stuttgart

The names and designations used in this document are trademarks or brands belonging to the respective owners.

ETAS CBAM295.1 Data Sheet R05 EN – 11.2023

Contents

1	Introduction	4
1.1	View	4
2	Installation.....	5
3	Technical Data.....	6
3.1	Mechanical Dimensions	6
3.2	Connectors	6
3.3	Temperature Range.....	7
3.4	Tightness.....	7
4	Ordering Information	8
5	Contact Information	9

1 Introduction

CBAM295.1 is a 100Mbit/S automotive Ethernet cable adapter for BR_XETKs with external power supply for the BR_XETK. Preassembled into M12 screwing, shield connected to the screwing. Usable for ECUs without Permanent Power Supply inside.

1.1 View

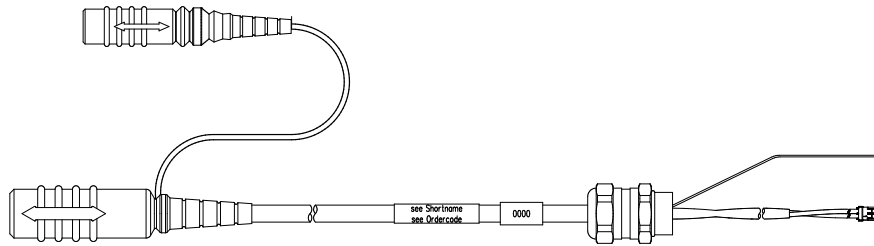


Figure 1: View



NOTE

Minimum bending radius for the cable is 20mm.

2 Installation

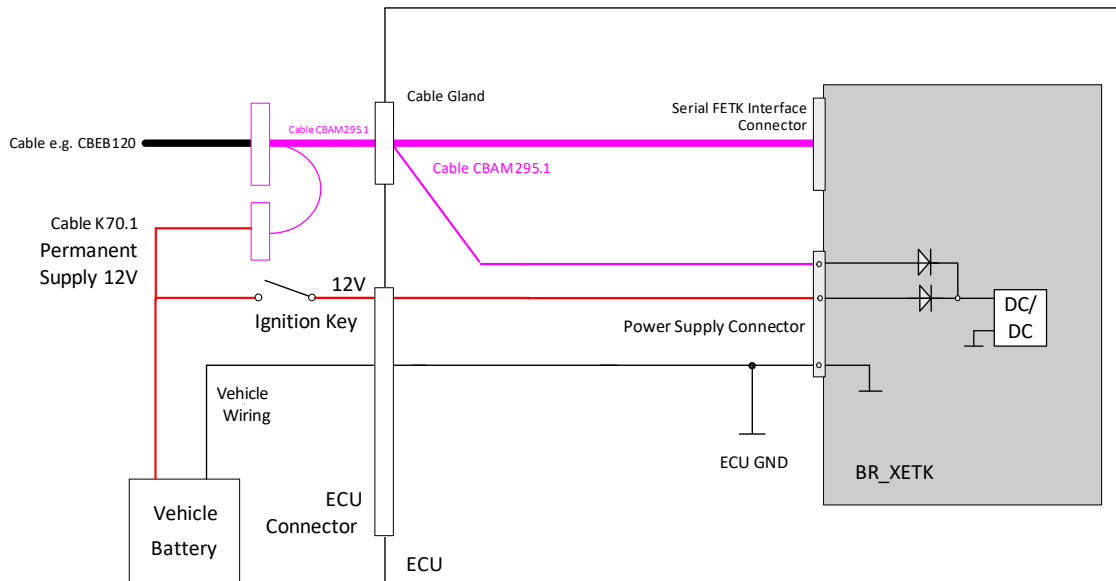


Figure 2: Installation

3 Technical Data

3.1 Mechanical Dimensions

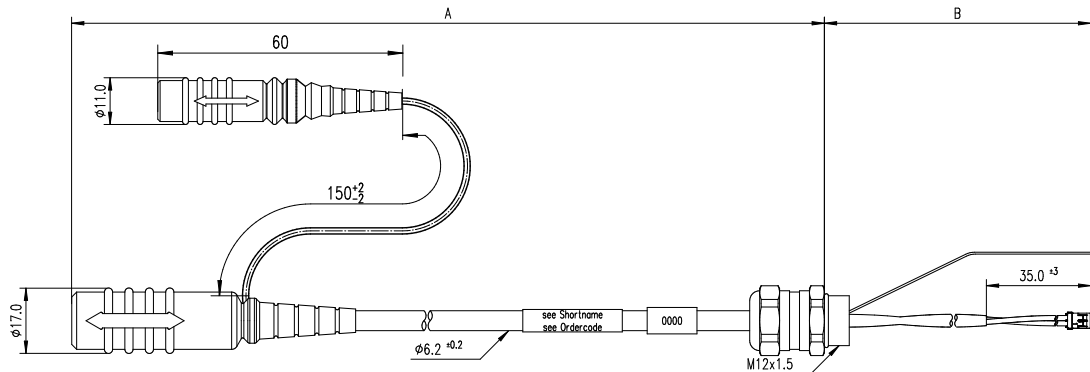


Figure 3: Mechanical Dimensions

Short Name	A [mm]	B [mm]
CBAM295.1-0m6	400±5	160±3
CBAM295.1-1m8	1500±5	250±3

For thin walled housings, use a through boring with 12.2 mm in the housing and mount the cable with a nut (not included) (Ordernumber 8000.12 from AGRO).

For wall thickness more than 2.5mm cut a thread into the housing.

3.2 Connectors

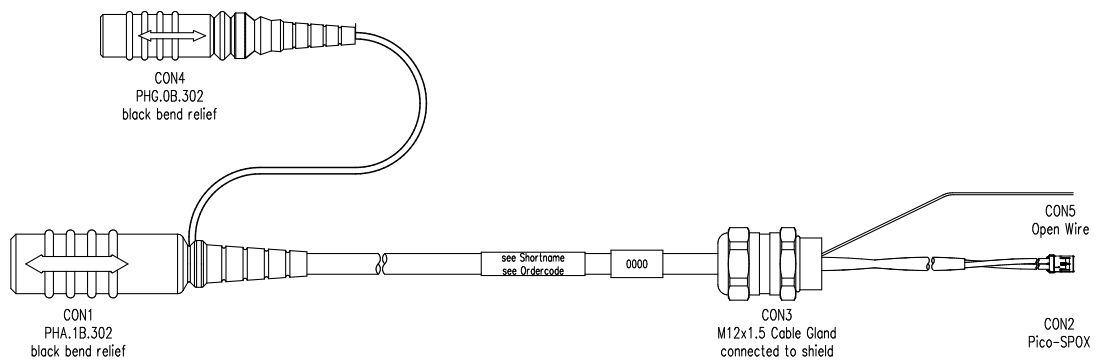


Figure 4: Connector Description

Connector	Color	Target
CON1	black	Cable to Mediaconverter e.g. CBEB120.1
CON2	white	BR_XETK Interface connector
CON3		Shield to ECU housing
CON4	black	Cable to permanent power e.g. KA70.1
CON5	Red wire	Connect to BR_XETK UBatt Pin

3.3 Temperature Range

Condition	Temperature
Operating Temperature	-40°C - +105°C

3.4 Tightness

Condition	IP Code
M12 screwing	IP67
CON1, CON4 (plugged)	IP65

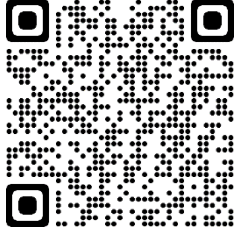
4 Ordering Information

Short Name	Order - Number
CBAM295.1-0m6	F 00K 111 656
CBAM295.1-1m8	F 00K 111 657

5 Contact Information

Technical Support

For details of your local sales office as well as your local technical support team and product hotlines, take a look at the website: www.etas.com/hotlines



ETAS Headquarters

ETAS GmbH
Borsigstraße 24
70469 Stuttgart
Germany

Phone: +49 711 3423-0
Fax: +49 711 3423-2106
Internet: www.etas.com