

## ETAS CBAM290.1

BR\_XETK ECU Adapter Cable,  
pre-assembled into M10 screwing,  
shield on ECU-Housing, Lemo 1B PHA -  
MOLEX (2fc-2fc), 0m60

 Data Sheet

## Copyright

The data in this document may not be altered or amended without special notification from ETAS GmbH. ETAS GmbH undertakes no further obligation in relation to this document. The software described in it can only be used if the customer is in possession of a general license agreement or single license. Using and copying is only allowed in concurrence with the specifications stipulated in the contract.

Under no circumstances may any part of this document be copied, reproduced, transmitted, stored in a retrieval system or translated into another language without the express written permission of ETAS GmbH.

**© Copyright 2023** ETAS GmbH, Stuttgart

The names and designations used in this document are trademarks or brands belonging to the respective owners.

ETAS CBAM290.1 Data Sheet R04 EN – 11.2023

## Contents

1	Introduction .....	4
2	Installation.....	5
3	Technical Data.....	6
3.1	Mechanical Dimensions .....	6
3.2	Connectors .....	6
3.3	Temperature Range.....	6
3.4	Tightness.....	6
4	Ordering Information .....	7
5	Contact Information .....	8

# 1 Introduction

CBAM290.1 is a 100Mbit/S automotive Ethernet cable adapter for BR\_XETKs. Pre-assembled into M10 screwing, shield connected to the screwing.

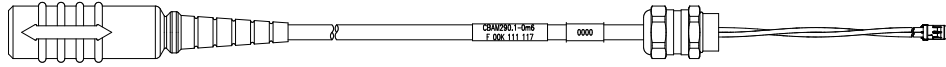


Figure 1 View



## NOTE

Minimum bending radius for the cable is 16mm

## 2 Installation

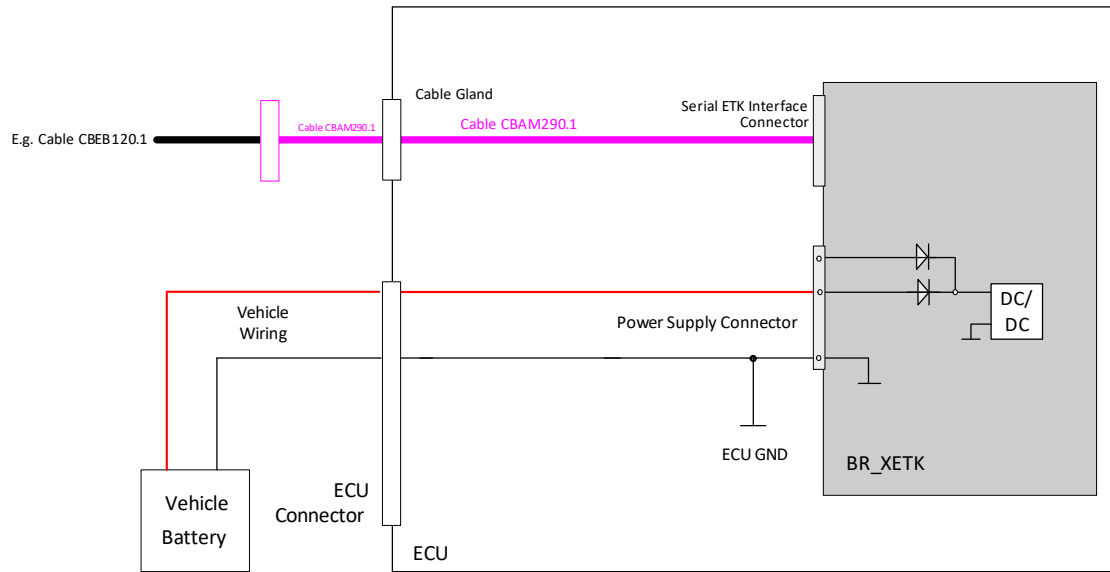


Figure 2 Installation

### 3 Technical Data

#### 3.1 Mechanical Dimensions

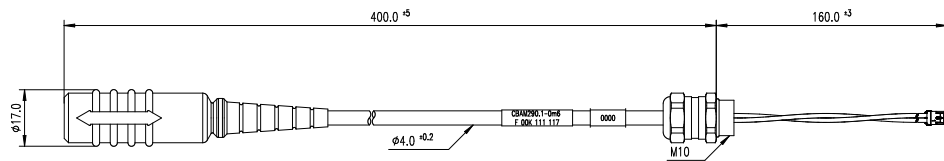


Figure 3 Mechanical Dimensions

For thin walled housings, use a through boring with 10.2 mm in the housing and mount the cable with a nut (not included) (Ordernumber 8000.10.1 from AGRO).

For wall thickness more than 2.5mm cut a thread into the housing.

#### 3.2 Connectors

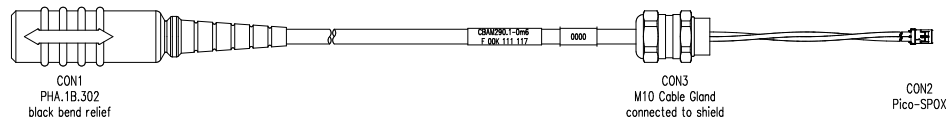


Figure 4 Connector Description

Connector	Color	Target
CON1	black	Cable to Mediaconverter CBEB120.1
CON2	white	BR_XETK
CON3		Shield to ECU housing

#### 3.3 Temperature Range

Condition	Temperature
Operating Temperature	-40°C - +105°C

#### 3.4 Tightness

Condition	IP Code
M10 screwing	IP67
CON1 (plugged)	IP65

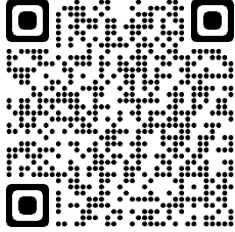
#### 4 Ordering Information

<b>Short Name</b>	<b>Order - Number</b>
CBAM290.1-0m6	F 00K 111 117

## 5 Contact Information

### Technical Support

For details of your local sales office as well as your local technical support team and product hotlines, take a look at the website: [www.etas.com/hotlines](http://www.etas.com/hotlines)



### ETAS Headquarters

ETAS GmbH  
Borsigstraße 24  
70469 Stuttgart  
Germany

Phone: +49 711 3423-0  
Fax: +49 711 3423-2106  
Internet: [www.etas.com](http://www.etas.com)