

KA54

ETK ECU Adapter Cable (shield on ECU-housing), Lemo 1B PHG
- JST PHR (4fc-5fc), 0m6

Data Sheet



Copyright

The data in this document may not be altered or amended without special notification from ETAS GmbH. ETAS GmbH undertakes no further obligation in relation to this document. The software described in it can only be used if the customer is in possession of a general license agreement or single license. Using and copying is only allowed in concurrence with the specifications stipulated in the contract.

Under no circumstances may any part of this document be copied, reproduced, transmitted, stored in a retrieval system or translated into another language without the express written permission of ETAS GmbH.

© Copyright 2019 ETAS GmbH, Stuttgart

The names and designations used in this document are trademarks or brands belonging to the respective owners.

Document KA54 R04_EN – 01.2019

Contents

- 1 Introduction.....5
 - 1.1 View.....5
 - 1.2 Installation6
- 2 Technical Data7
 - 2.1 Mechanical Dimensions.....7
 - 2.2 Temperature Range7
- 3 Ordering Information.....8
- 4 ETAS Contact Addresses9

Figures

Figure 1: View 5
Figure 2: Installation..... 6
Figure 3: Mechanical Dimensions..... 7

1 Introduction

Serial 100 MBit/s Cable Adapter for ETKs.
Shield not insulated. Usable for ECUs with shielded housing.

1.1 View

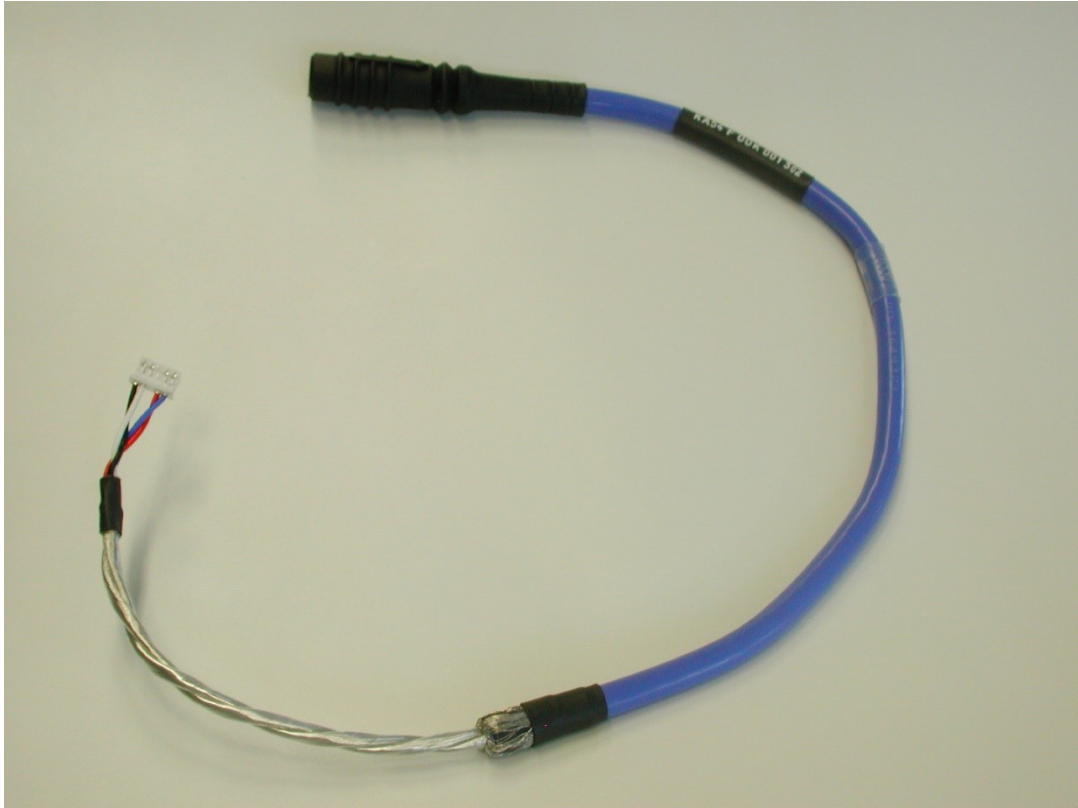


Figure 1: View

1.2 Installation

Permanent Power Supply inside ECU not available.

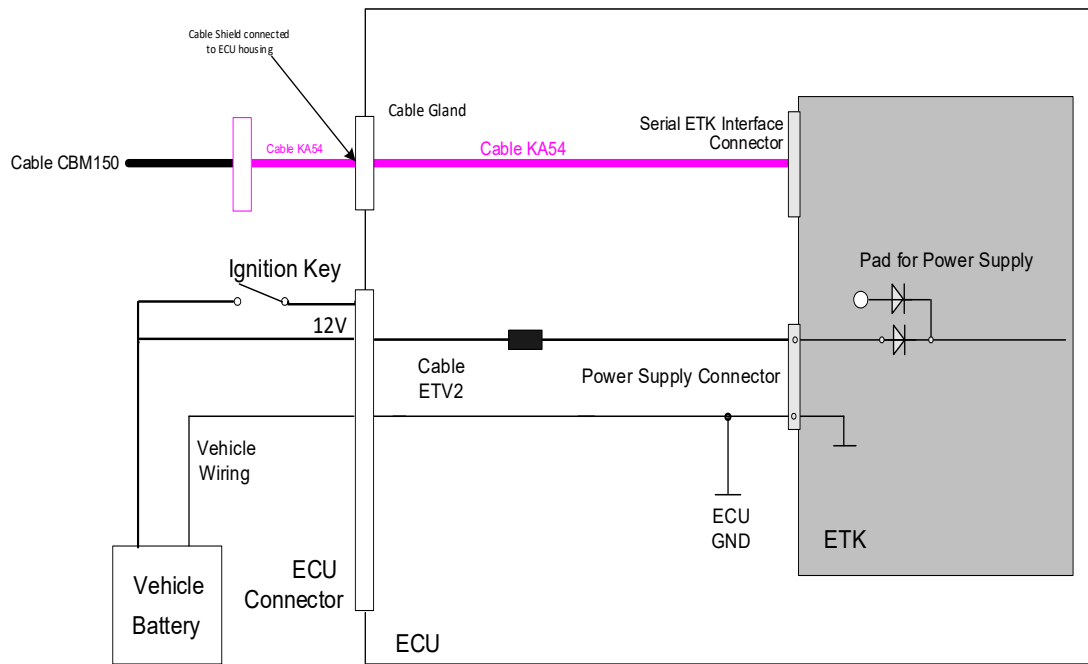


Figure 2: Installation

2 Technical Data

2.1 Mechanical Dimensions

All measurements in mm.

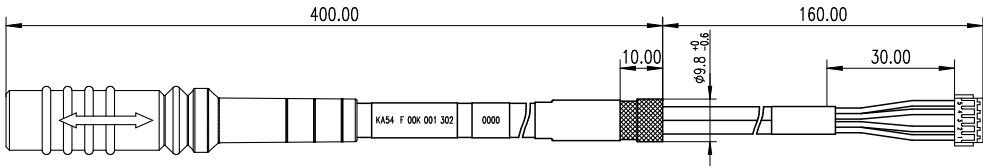


Figure 3: Mechanical Dimensions

2.2 Temperature Range

Condition	Temperature
Operating Temperature	-40°C - +125°C

3 **Ordering Information**

Short Name	Order - Number
KA54	F 00K 001 302

4 ETAS Contact Addresses

ETAS HQ

ETAS GmbH

Borsigstraße 24

70469 Stuttgart

Germany

Phone: +49 711 3423 0

Fax: +49 711 3423 2106

WWW: www.etas.com*ETAS Subsidiaries and Technical Support*

For details of your local sales office as well as your local technical support team and product hotlines, take a look at the ETAS website:

ETAS subsidiaries WWW: www.etas.com/en/contact.phpETAS technical support WWW: www.etas.com/en/hotlines.php