

ETAN2 R02_EN

XETK-S22.0D ECU Adapter, SAMTEC ERM - SAMTEC ERM
(40mc - 34mc)



Copyright

The data in this document may not be altered or amended without special notification from ETAS GmbH. ETAS GmbH undertakes no further obligation in relation to this document. The software described in it can only be used if the customer is in possession of a general license agreement or single license. Using and copying is only allowed in concurrence with the specifications stipulated in the contract.

Under no circumstances may any part of this document be copied, reproduced, transmitted, stored in a retrieval system or translated into another language without the express written permission of ETAS GmbH.

© Copyright 2019 ETAS GmbH, Stuttgart

The names and designations used in this document are trademarks or brands belonging to the respective owners.

Document ETAN2 R02_EN – 08.2019

Contents

- 1 Introduction..... 5
 - 1.1 3D View..... 5
- 2 Technical Data 6
 - 2.1 Mezz Board (ECU) Connector..... 6
 - 2.2 Electrical Information..... 7
 - 2.3 Mechanical Dimensions 8
 - 2.4 Temperature Range..... 9
- 3 Ordering Information..... 10
- 4 ETAS Contact Addresses 11

Figures

Figure 1: 3D View 5
Figure 2: Pin arrangement..... 6
Figure 3: Top View, Units inches [mm]..... 8
Figure 4: Bottom View, Units inches [mm] 8
Figure 5: Side View, Units inches [mm]..... 8

1 Introduction

The ETAN2A cable adapts the ECU 34 pin SAMTEC ASP-137973-01 connector (34 pin Nexus Standard) to an XETK-S22.0D.

1.1 3D View

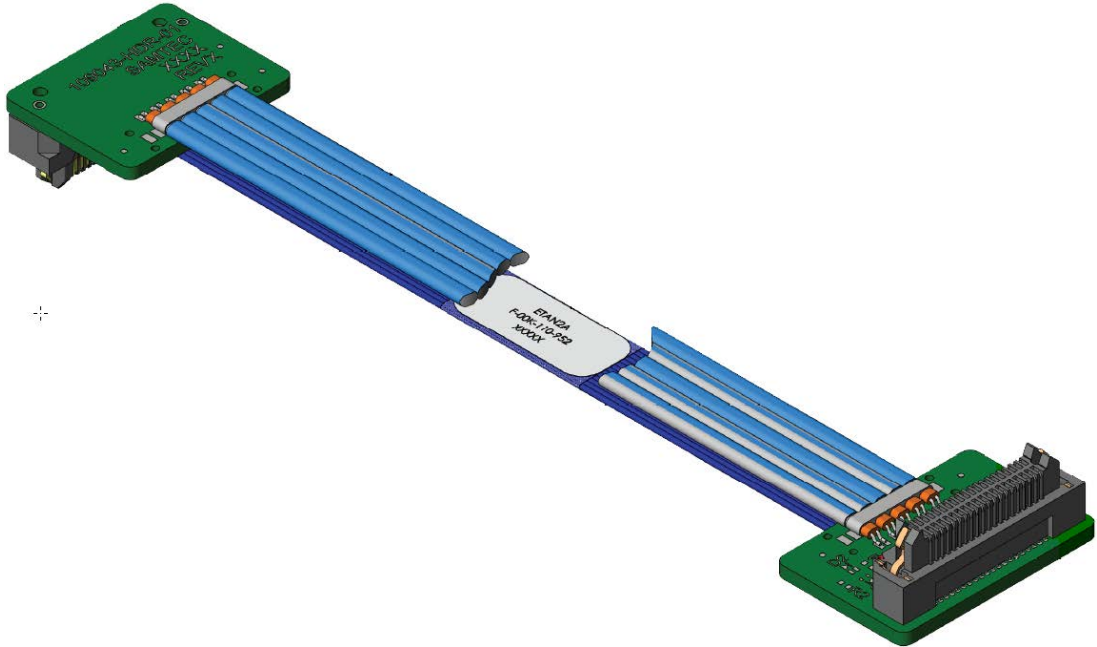


Figure 1: 3D View

2 Technical Data

2.1 Mezz Board (ECU) Connector

In order to be able to use the ETK adapter cable ETAN2A in the ECU, a 34 pin SAMTEC connector (e.g. ASP-137973-01) must be available on the Mezz Board or ECU. See figure 2 below for pin arrangement, and table 1 below for the pin assignment.

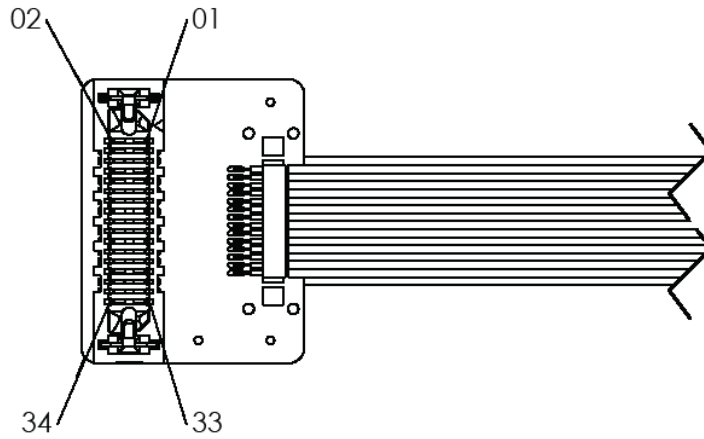


Figure 2: Pin arrangement

Pin Number	Signal Name
1	TX0_P
2	VDD (Sense)
3	TX0_N
4	TCK
5	GND
6	TMS
7	
8	TDI
9	
10	TDO
11	GND
12	/TRST
13	
14	FLMD0

Pin Number	Signal Name
15	
16	N/C
17	GND
18	/EVTO
19	
20	N/C
21	
22	/PORESET
23	GND
24	GND
25	N/C
26	ClockP
27	WDGDIS
28	ClockN
29	GND
30	GND
31	AURORA_RST
32	/RDY
33	VSTBY (Sense)
34	/RESETOUT

Table 1: Pin assignment

2.2 Electrical Information

The ETAN2A adapter cable has a 50 Ohm nominal impedance on pins 2, 4, 6, 8, 10, 12, 14, 18, 22, 27, 31, 32, 33, and 34. The ETAN2A adapter cable has a 100 Ohm nominal impedance for the differential signals on pins 1, 3, 7, 9, 13, 15, 19, 21, 26, and 28.

2.3 Mechanical Dimensions

The ETAN2A adapter cable has a minimum bend radius of 0.125 inches [3.175mm]. See figure 3, 4 and 5 with table 2 for mechanical dimensions.

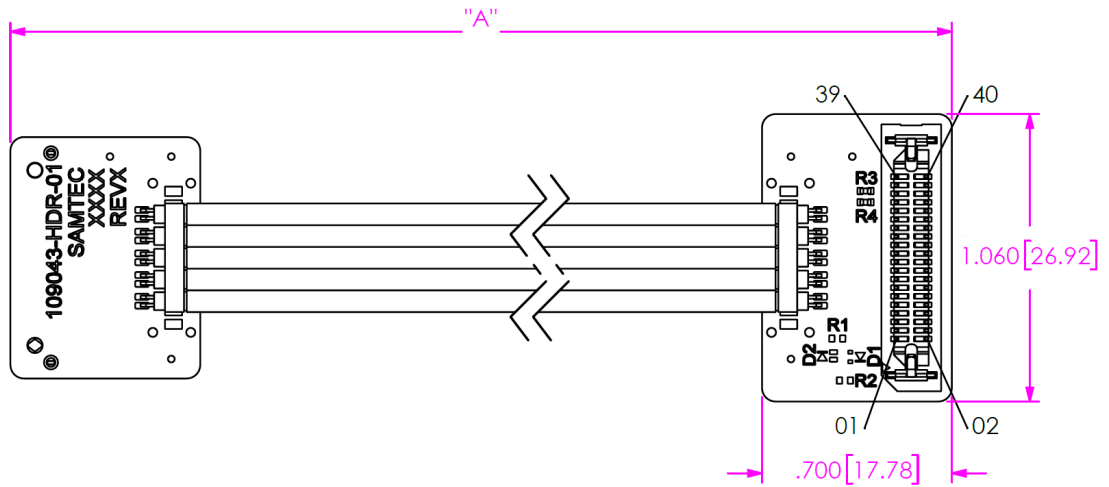


Figure 3: Top View, Units inches [mm]

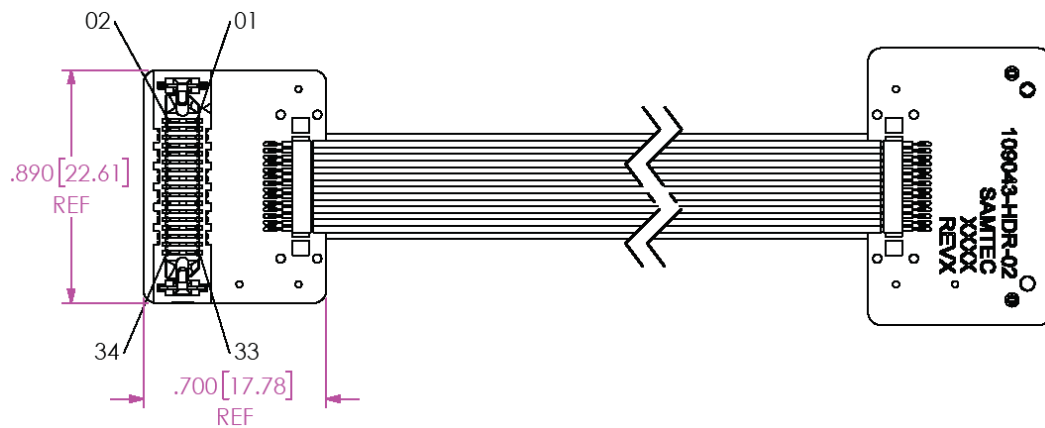


Figure 4: Bottom View, Units inches [mm]

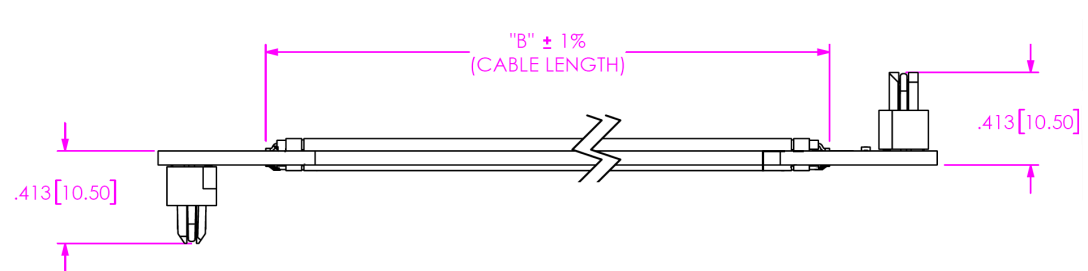


Figure 5: Side View, Units inches [mm]

Part Number	Figure 3 "A"	Figure 5 "B"
F 00K 110 952 (ETAN2A)	7.87 [200]	6.91 [175.6]
F 00K 112 100 (ETAN2A_0m1)	3.74 [95]	2.78 [70.6]

Table 2: Mechanical dimensions for figures 3 and 5, Units inches [mm]

2.4 Temperature Range

Condition	Temperature
Operating Temperature	-40°C - +110°C

3 **Ordering Information**

Short Name	Order - Number
ETAN2A	F 00K 110 952
ETAN2A_0m1	F 00K 112 100

4 **ETAS Contact Addresses**

ETAS HQ

ETAS GmbH	Phone:	+49 711 3423-0
Borsigstraße 24	Fax:	+49 711 3423-106
70469 Stuttgart	WWW:	www.etas.com
Germany		

ETAS Subsidiaries and Technical Support

For details of your local sales office as well as your local technical support team and product hotlines, take a look at the ETAS website:

ETAS subsidiaries	WWW:	www.etas.com/en/contact.php
ETAS technical support	WWW:	www.etas.com/en/hotlines.php