



CBAMA350.1

FETK adapter cable, 1 Gbit/s, shield is connected to ECU, Lemo 1B HMM - JST SHR (10mc-9fc), 0m17

Data Sheet

Copyright

The data in this document may not be altered or amended without special notification from ETAS GmbH. ETAS GmbH undertakes no further obligation in relation to this document. The software described in it can only be used if the customer is in possession of a general license agreement or single license. Using and copying is only allowed in concurrence with the specifications stipulated in the contract.

Under no circumstances may any part of this document be copied, reproduced, transmitted, stored in a retrieval system or translated into another language without the express written permission of ETAS GmbH.

© **Copyright 2020** ETAS GmbH, Stuttgart

The names and designations used in this document are trademarks or brands belonging to the respective owners.

Document CBAM350.1 R02 EN – 01.2020

Contents

1	Introduction.....	4
2	Installation	5
3	Technical Data	6
3.1	Mechanical Dimensions	6
3.2	Panel Cut-Out	6
3.3	Tool.....	6
3.4	Temperature Range.....	7
4	Ordering Information.....	8
5	ETAS Contact Addresses.....	9
	Figures	10

1 Introduction

CBAM350.1-0 is a serial 1 GBit/s cable adapter for FETKs with a water tight socket.

Shield connected to socket. Usable for ECUs with shielded housing.

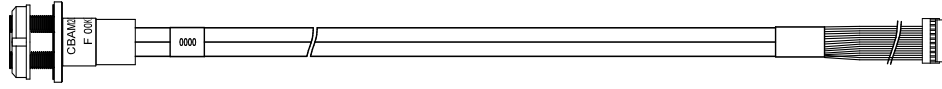


Figure 1 CBAM350.1 Adapter Cable

2 Installation

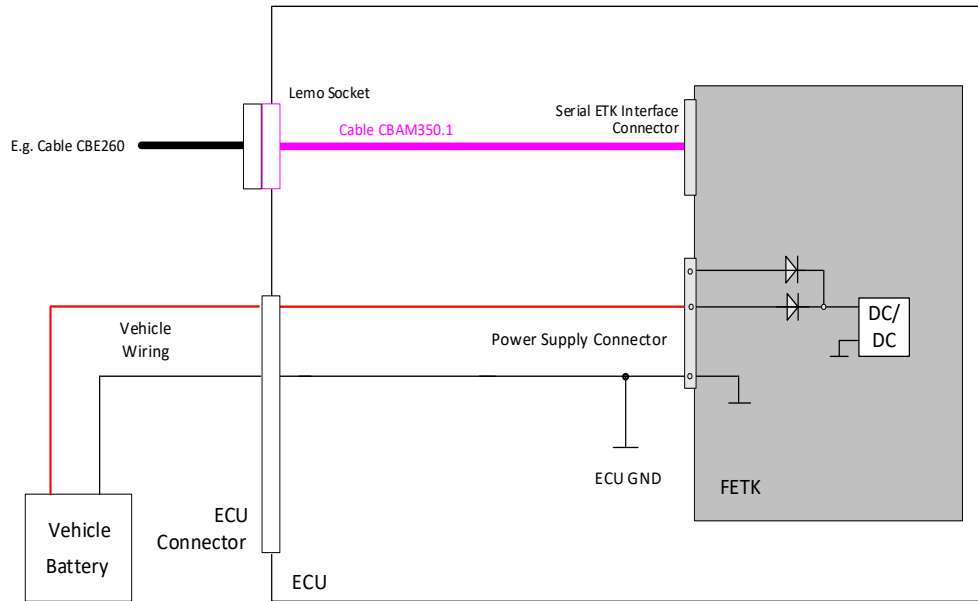


Figure 2 Installation, permanent power supply in ECU available

3 Technical Data

3.1 Mechanical Dimensions

All dimensions in mm.

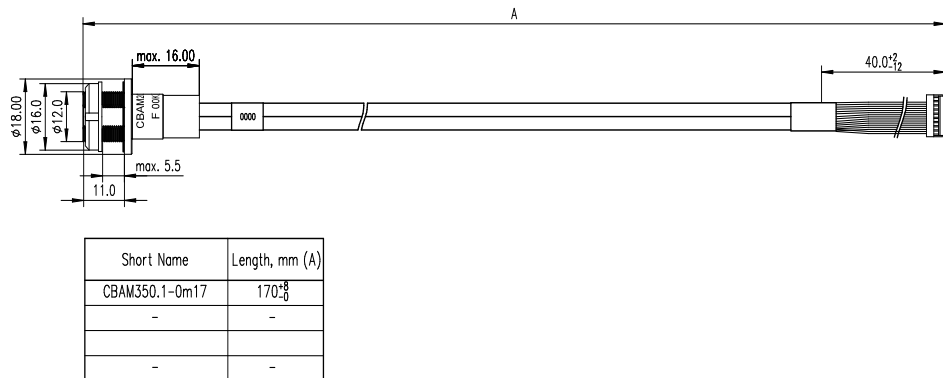


Figure 3 Dimensions CBAM350.1

3.2 Panel Cut-Out

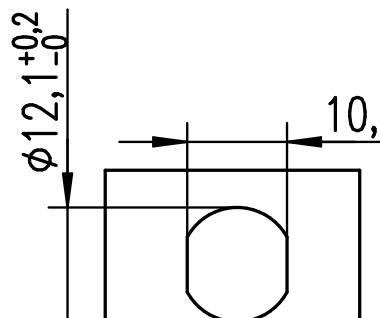


Figure 4 Dimension Panel Cut-Out

3.3 Tool

A Lemo Tool, typ "Lemo Spanner DCH.91.161.PA" is needed for assembling the connector (not included in the delivery).



Figure 5 Lemo Spanner

3.4 Temperature Range

Condition	Temperature
Operating Temperature	-40°C - +125°C

4 Ordering Information

Short Name	Order - Number
CBAM350.1-0m17	F 00K 111 439

5 ETAS Contact Addresses

ETAS Headquarters

ETAS GmbH

Borsigstraße 24

70469 Stuttgart

Germany

Phone: +49 711 3423-0

Fax: +49 711 3423-2106

Internet: www.etas.com

ETAS Subsidiaries and Technical Support

For details of your local sales office as well as your local technical support team and product hotlines, take a look at the ETAS website:

ETAS subsidiaries Internet: www.etas.com/en/contact.php

ETAS technical support Internet: www.etas.com/en/hotlines.php

Figures

Figure 1	CBAM350.1 Adapter Cable	4
Figure 2	Installation, permanent power supply in ECU available	5
Figure 3	Dimensions CBAM350.1.....	6
Figure 4	Dimension Panel Cut-Out.....	6
Figure 5	Lemo Spanner	6