



CBAM320.1

FETK ECU Adapter Cable, pre-assembled into GSC.1S screwing (M9x0.6), shield on ECU-Housing, Lemo 1B PHM - JST SHR (10fc-9fc), 0m60

Data Sheet

Copyright

The data in this document may not be altered or amended without special notification from ETAS GmbH. ETAS GmbH undertakes no further obligation in relation to this document. The software described in it can only be used if the customer is in possession of a general license agreement or single license. Using and copying is only allowed in concurrence with the specifications stipulated in the contract.

Under no circumstances may any part of this document be copied, reproduced, transmitted, stored in a retrieval system or translated into another language without the express written permission of ETAS GmbH.

© **Copyright 2020** ETAS GmbH, Stuttgart

The names and designations used in this document are trademarks or brands belonging to the respective owners.

Document CBAM320.1 R05 EN – 01.2020

Contents

1	Introduction.....	4
2	Installation	5
3	Technical Data.....	6
3.1	Mechanical Dimensions.....	6
3.2	Connectors	6
3.3	Temperature Range.....	6
3.4	Tightness	6
4	Ordering Information	7
5	ETAS Contact Addresses	8
	Figures.....	9

1 Introduction

CBAM320.1-0m60 is a serial 1 GBit/s cable adapter for FETKs. Preassembled into M9 screwing, shield connected to the screwing.



Figure 1 View

2 Installation

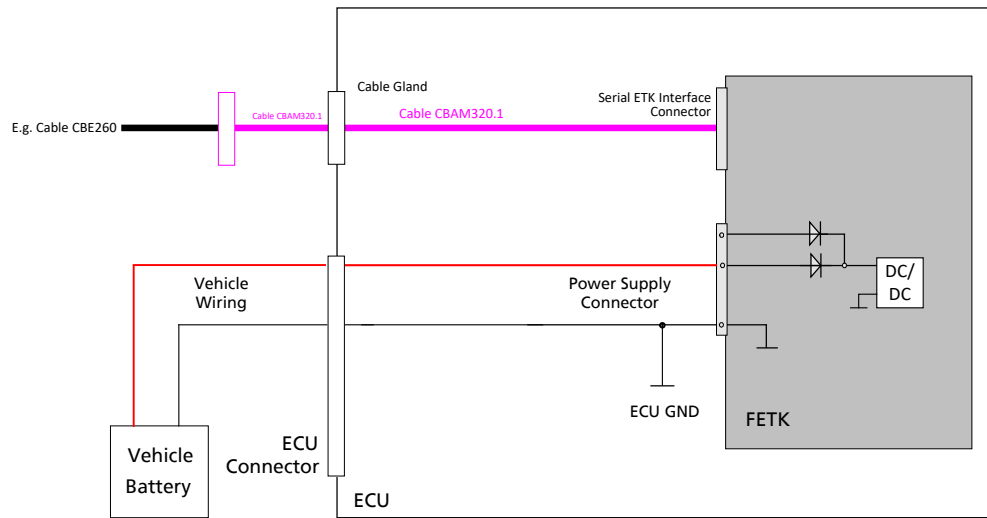


Figure 2 Installation, permanent power supply in ECU available

3 Technical Data

3.1 Mechanical Dimensions

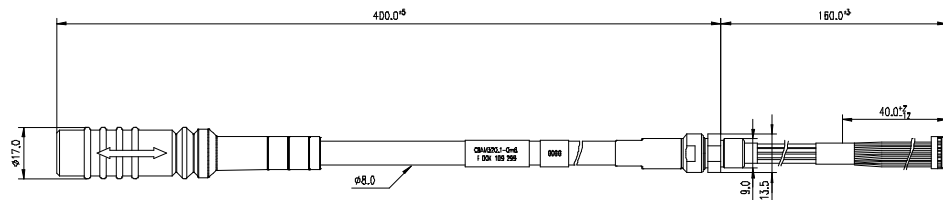


Figure 3 Mechanical Dimensions

For wall thickness less than 4mm, it is possible to use a through boring with 9.2 mm in the housing and mount the cable with a nut (included).

For wall thickness more than 4mm cut a thread into the housing. A special Lemo thread cutter is necessary.

3.2 Connectors

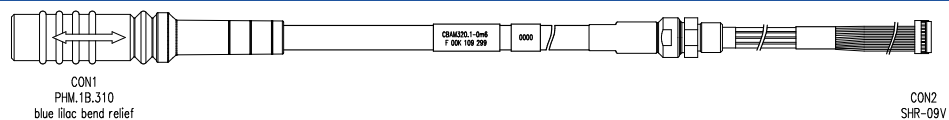


Figure 4 Connector Description

Connector	Color	Target
CON1	blue lilac	G. Ethernet Cable e.g. CBE260
CON2	white	FETK e.g. FETK-S2.0

3.3 Temperature Range

Condition	Temperature
Operating Temperature	-40°C - +125°C

3.4 Tightness

Condition	IP Code
M9 screwing	IP67

4 Ordering Information

Short Name	Order - Number
CBAM320.1-0m6	F 00K 109 299

5 ETAS Contact Addresses

ETAS Headquarters

ETAS GmbH
Borsigstraße 24
70469 Stuttgart
Germany

Phone: +49 711 3423-0
Fax: +49 711 3423-2106
Internet: www.etas.com

ETAS Subsidiaries and Technical Support

For details of your local sales office as well as your local technical support team and product hotlines, take a look at the ETAS website:

ETAS subsidiaries Internet: www.etas.com/en/contact.php
ETAS technical support Internet: www.etas.com/en/hotlines.php

Figures

Figure 1	View	4
Figure 2	Installation, permanent power supply in ECU available	5
Figure 3	Mechanical Dimensions	6
Figure 4	Connector Description	6