



CBAM261-0m5

ETK ECU Adapter Cable, pre-assembled into PG9 screwing, shield on ECUHousing, Lemo 1B PHG - JST PHR (4fc-5fc), 0m50
Data Sheet

Copyright

The data in this document may not be altered or amended without special notification from ETAS GmbH. ETAS GmbH undertakes no further obligation in relation to this document. The software described in it can only be used if the customer is in possession of a general license agreement or single license. Using and copying is only allowed in concurrence with the specifications stipulated in the contract.

Under no circumstances may any part of this document be copied, reproduced, transmitted, stored in a retrieval system or translated into another language without the express written permission of ETAS GmbH.

© **Copyright 2019** ETAS GmbH, Stuttgart

The names and designations used in this document are trademarks or brands belonging to the respective owners.

Document CBAM261 R05 EN – 12.2019

Contents

1	Introduction.....	4
1.1	Installation.....	5
2	Technical Data.....	6
2.1	Mechanical Dimensions	6
2.2	Temperature Range	6
3	Ordering Information.....	7
4	ETAS Contact Addresses.....	8
	Figures.....	9

1 Introduction

Serial 100 MBit/s ETK cable. Preassembled into PG9 screwing, shield connected to the screwing.

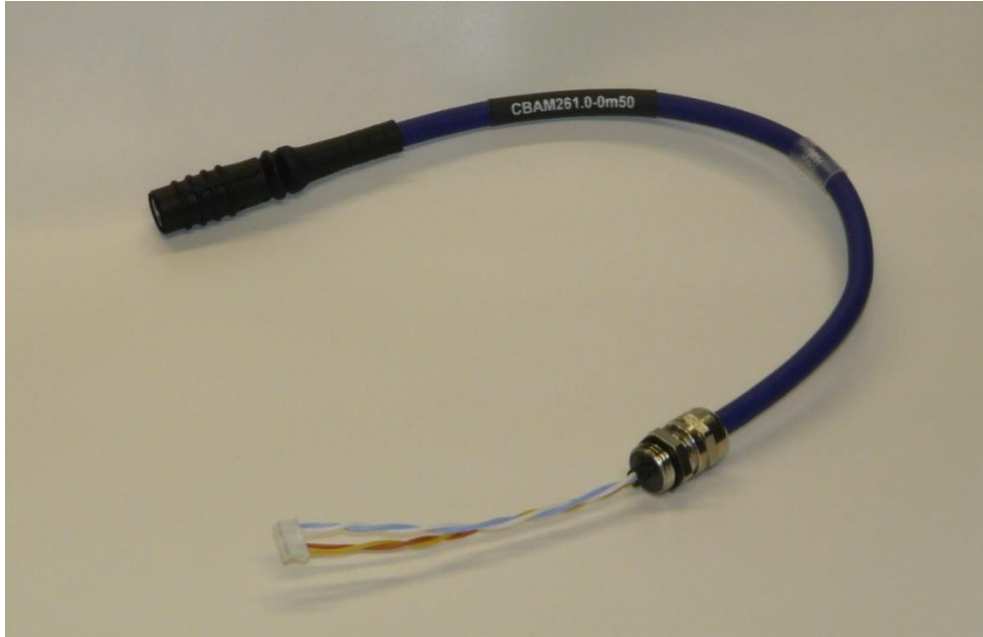


Figure 1 View

1.1 Installation

Permanent Power Supply inside ECU available.

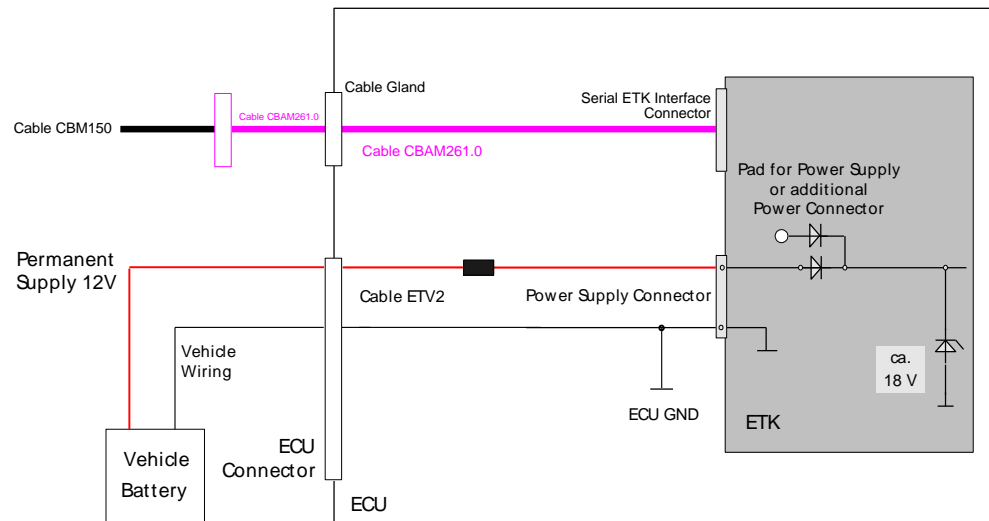


Figure 2 Installation

2 Technical Data

2.1 Mechanical Dimensions

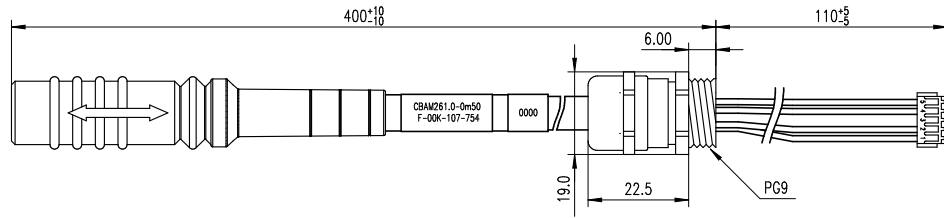


Figure 3 Mechanical Dimensions

i NOTE

For mounting the cable, cut a PG9 thread into the ECU housing. For thin walled housings use a Nut SM-PE 9. Available from Lapp, Ordernumber: 52103210.

2.2 Temperature Range

Condition	Temperature
Operating Temperature	-40°C - +110°C

3 **Ordering Information**

Short Name	Order - Number
CBAM261-0m5	F 00K 107 754

4 ETAS Contact Addresses

ETAS Headquarters

ETAS GmbH

Borsigstraße 24

70469 Stuttgart

Germany

Phone: +49 711 3423-0

Fax: +49 711 3423-2106

Internet: www.etas.com

ETAS Subsidiaries and Technical Support

For details of your local sales office as well as your local technical support team and product hotlines, take a look at the ETAS website:

ETAS subsidiaries Internet: www.etas.com/en/contact.php

ETAS technical support Internet: www.etas.com/en/hotlines.php

Figures

Figure 1	View.....	4
Figure 2	Installation.....	5
Figure 3	Mechanical Dimensions.....	6