



CBAM240.1-0m6

XETK ECU Adapter cable, 100 MBit/s, Lemo
1B HME - JST PHE (10fc-5fc), 0m6

Data Sheet

Copyright

The data in this document may not be altered or amended without special notification from ETAS GmbH. ETAS GmbH undertakes no further obligation in relation to this document. The software described in it can only be used if the customer is in possession of a general license agreement or single license. Using and copying is only allowed in concurrence with the specifications stipulated in the contract.

Under no circumstances may any part of this document be copied, reproduced, transmitted, stored in a retrieval system or translated into another language without the express written permission of ETAS GmbH.

© **Copyright 2020** ETAS GmbH, Stuttgart

The names and designations used in this document are trademarks or brands belonging to the respective owners.

Document CBAM240.1 R05 EN – 01.2020

Contents

1	Introduction.....	4
2	Installation	5
3	Technical Data.....	6
3.1	Mechanical Dimensions.....	6
3.2	Proposal with an EMC safe cable gland	6
3.3	Temperature Range	7
4	Ordering Information	8
5	ETAS Contact Addresses	9
	Figures.....	10

1 Introduction

Serial 100 MBit/s Cable Adapter for XETKs. Shield bare for cable gland, isolated to the XETK. Usable for ECUs with shielded housing.

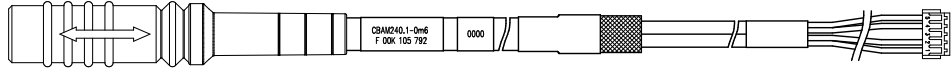


Figure 1 View

2 Installation

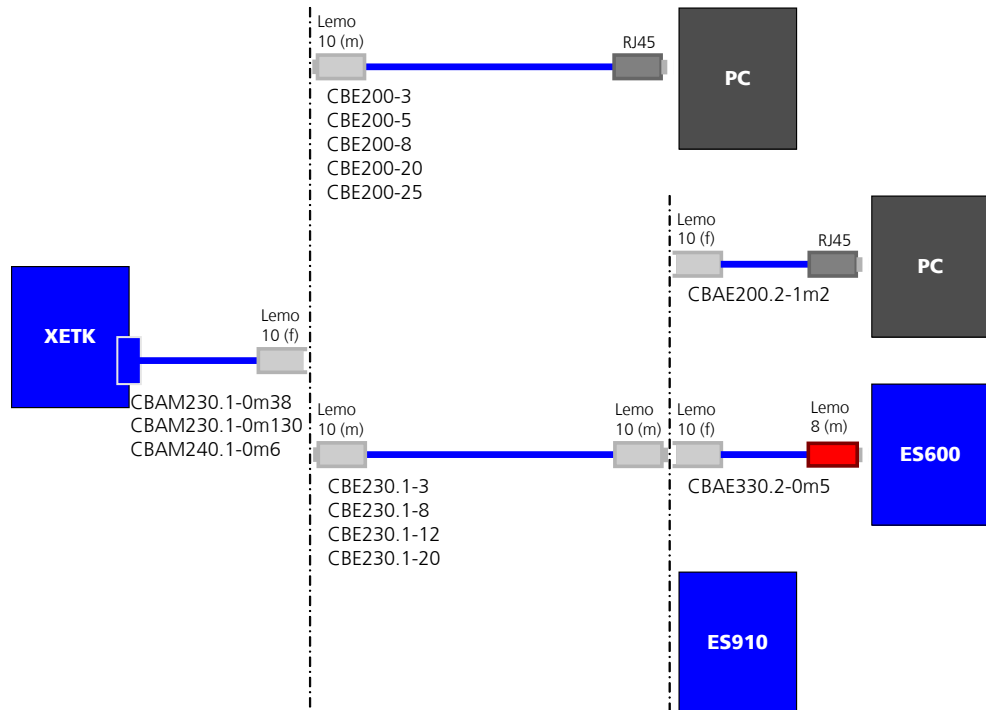


Figure 2 Installation

3 Technical Data

Shield bare for cable gland, isolated to the XETK. Usable for ECUs with shielded housing.

3.1 Mechanical Dimensions

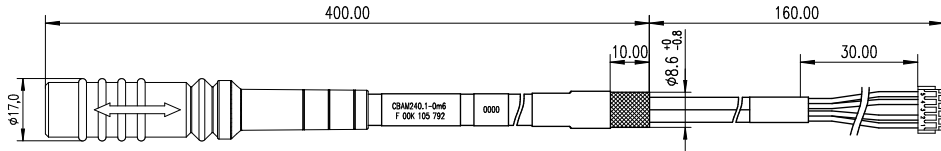


Figure 3 Mechanical Dimensions

3.2 Proposal with an EMC safe cable gland

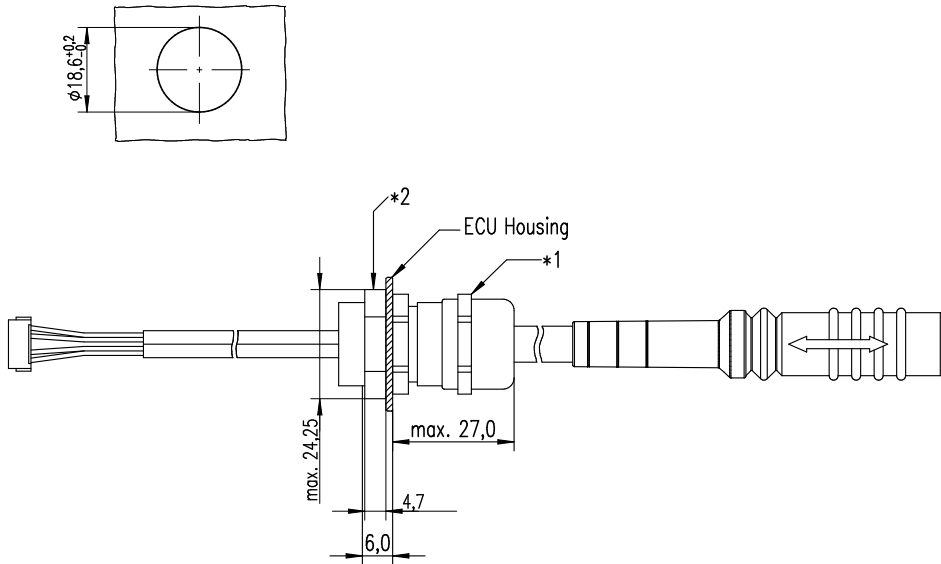


Figure 4 long thread

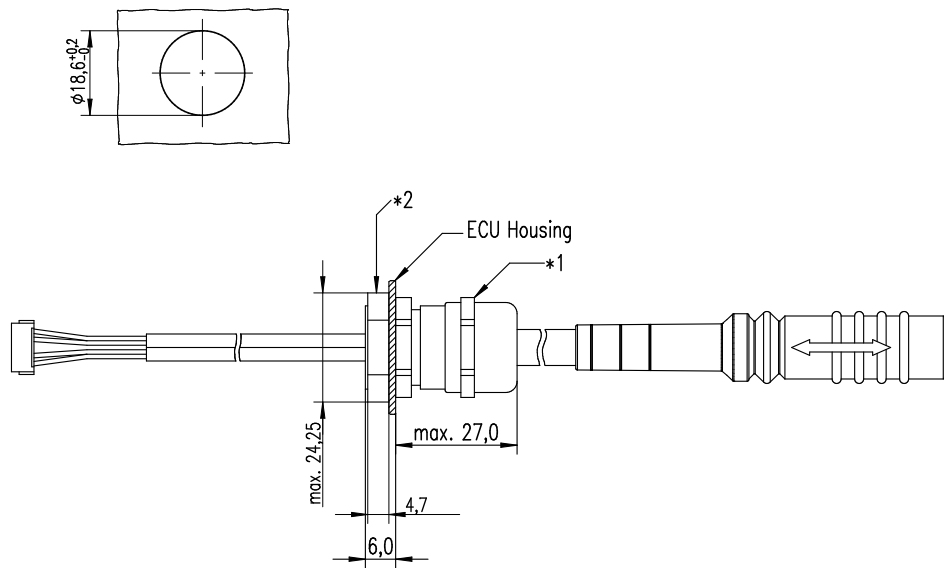


Figure 5 short thread

*1) SKINTOP compact screwing; Manufacturer: Lapp; Description: MS-SC 11; Order-No.: 5311 2320 (long thread) or 5311 2220 (short thread)

*2) Nut for compact screwing; Manufacturer: Lapp; Description: SM-PE 11; Order-No.: 5210 3220

i NOTE

Shield connected to ECU housing

i NOTE

Cable glands are not included in the delivery.

3.3 Temperature Range

Condition	Temperature
Operating Temperature	-40°C - +125°C

4 Ordering Information

Short Name	Order - Number
CBAM230.1-0m38	F 00K 105 791
CBAM240.1-0m6	F 00K 105 792
CBAE200.2-1m2	F 00K 105 760
CBAE330.2-0m5	F 00K 105 759
CBE200-3	F 00K 104 373
CBE200-5	F 00K 105 171
CBE200-8	F 00K 104 374
CBE200-20	F 00K 104 372
CBE230.1-3	F 00K 105 757
CBE230.1-8	F 00K 105 758

5 ETAS Contact Addresses

ETAS Headquarters

ETAS GmbH
Borsigstraße 24
70469 Stuttgart
Germany

Phone: +49 711 3423-0
Fax: +49 711 3423-2106
Internet: www.etas.com

ETAS Subsidiaries and Technical Support

For details of your local sales office as well as your local technical support team and product hotlines, take a look at the ETAS website:

ETAS subsidiaries Internet: www.etas.com/en/contact.php
ETAS technical support Internet: www.etas.com/en/hotlines.php

Figures

Figure 1	View	4
Figure 2	Installation.....	5
Figure 3	Mechanical Dimensions.....	6
Figure 4	long thread	6
Figure 5	short thread.....	7