



CBAM230.1

XETK ECU Adapter Cable, 100 Mbit/s, Shield
on ECU-Housing, Lemo 1B HME - JST PHE
(10fc-5fc)

Data Sheet

Copyright

The data in this document may not be altered or amended without special notification from ETAS GmbH. ETAS GmbH undertakes no further obligation in relation to this document. The software described in it can only be used if the customer is in possession of a general license agreement or single license. Using and copying is only allowed in concurrence with the specifications stipulated in the contract.

Under no circumstances may any part of this document be copied, reproduced, transmitted, stored in a retrieval system or translated into another language without the express written permission of ETAS GmbH.

© **Copyright 2019** ETAS GmbH, Stuttgart

The names and designations used in this document are trademarks or brands belonging to the respective owners.

Document CBAM230.1 R08 EN – 12.2019

Contents

1	Introduction.....	4
2	Installation	5
3	Technical Data.....	6
3.1	Mechanical Dimensions.....	6
	3.1.1 Cable.....	6
	3.1.2 Panel Cut-Out.....	6
3.2	Tool.....	7
3.3	Temperature Range.....	7
4	Ordering Information	8
5	ETAS Contact Addresses	9

1 Introduction

Serial 100 MBit/s Cable Adapter for XETKs with water tight socket.

Shield connected to socket. Usable for ECUs with shielded housing.

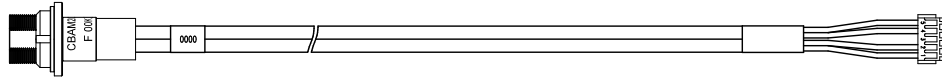


Figure 1 CBAM230.1 Adapter Cable

2 Installation

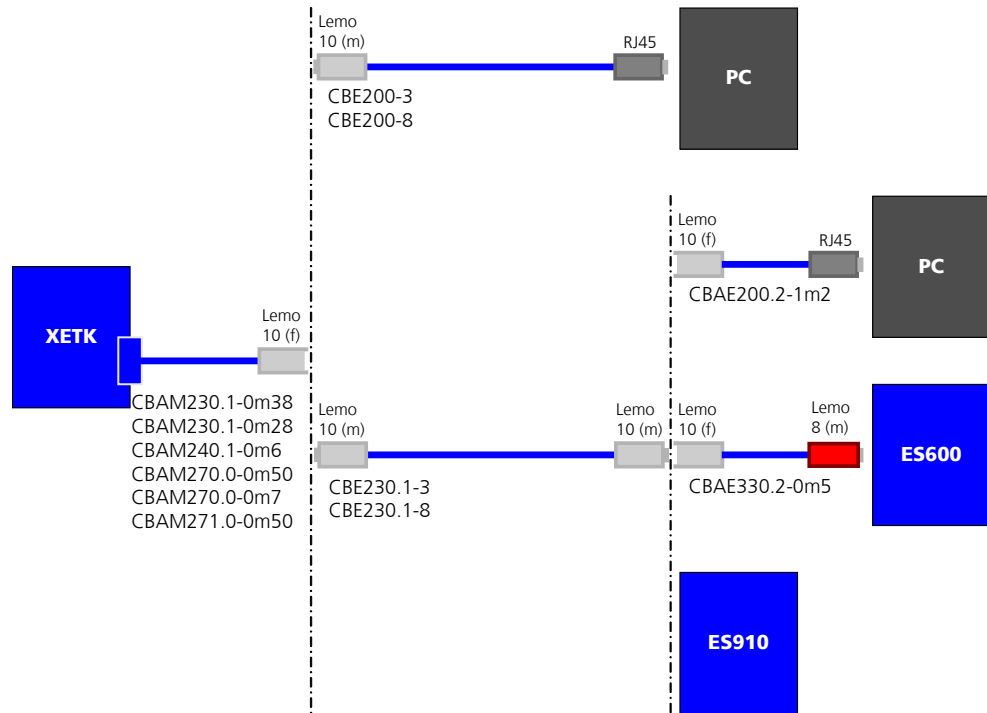


Figure 2 XETK Cables

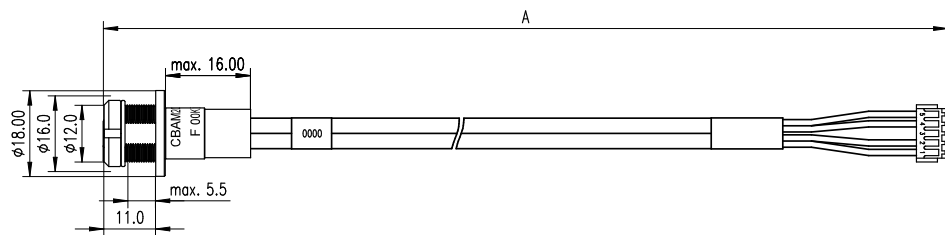
3 Technical Data

Shield connected to socket, isolated to the XETK. Usable for ECUs with shielded housing.

3.1 Mechanical Dimensions

All dimensions in mm.

3.1.1 Cable



Short Name	Length, mm (A)
CBAM230.1-0m38	380
CBAM230.1-0m28	280
-	-
-	-

Figure 3 Dimensions CBAM230.1

3.1.2 Panel Cut-Out

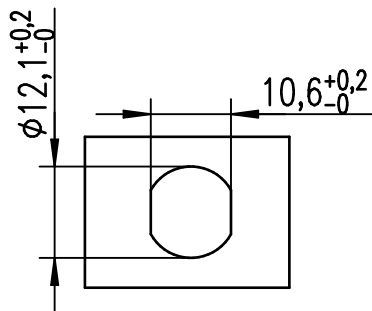


Figure 4 Dimension Panel Cut-Out

3.2 Tool

A Lemo Tool, typ "Lemo Spanner DCH.91.161.PA" is needed for assembling the connector (not included in the delivery).



Figure 5 Lemo Spanner

3.3 Temperature Range

Condition	Temperature
Operating Temperature	-40°C - +125°C

4 Ordering Information

Short Name	Order - Number
CBAM230.1-0m38	F 00K 105 791
CBAM230.1-0m28	F 00K 107 258

5 ETAS Contact Addresses

ETAS Headquarters

ETAS GmbH
Borsigstraße 24
70469 Stuttgart
Germany

Phone: +49 711 3423-0
Fax: +49 711 3423-2106
Internet: www.etas.com

ETAS Subsidiaries and Technical Support

For details of your local sales office as well as your local technical support team and product hotlines, take a look at the ETAS website:

ETAS subsidiaries Internet: www.etas.com/en/contact.php
ETAS technical support Internet: www.etas.com/en/hotlines.php

Figures

Figure 1	CBAM230.1 Adapter Cable	4
Figure 2	XETK Cables	5
Figure 3	Dimensions CBAM230.1.....	6
Figure 4	Dimension Panel Cut-Out.....	6
Figure 5	Lemo Spanner	7