



CBAM220-0m6

ETK ECU Adapter and Power Supply Cable
(shield on ECU-housing), Lemo 1B PHG - JST
PHR (4fc-5fc) / Lemo 0B PHG – JST PAP (2fc-
2fc), 0m60
Data Sheet

Copyright

The data in this document may not be altered or amended without special notification from ETAS GmbH. ETAS GmbH undertakes no further obligation in relation to this document. The software described in it can only be used if the customer is in possession of a general license agreement or single license. Using and copying is only allowed in concurrence with the specifications stipulated in the contract.

Under no circumstances may any part of this document be copied, reproduced, transmitted, stored in a retrieval system or translated into another language without the express written permission of ETAS GmbH.

© **Copyright 2019** ETAS GmbH, Stuttgart

The names and designations used in this document are trademarks or brands belonging to the respective owners.

Document CBAM220 R08 EN – 12.2019

Contents

1	Introduction.....	4
1.1	Installation	5
2	Technical Data.....	6
2.1	Mechanical Dimensions.....	6
2.2	Temperature Range.....	6
3	Ordering Information	7
4	ETAS Contact Addresses	8
	Figures.....	9

1 Introduction

Serial 100 MBit/s cable with external power supply for ETKs, shield on ECU housing.

Usable for ECUs without Permanent Power Supply inside.

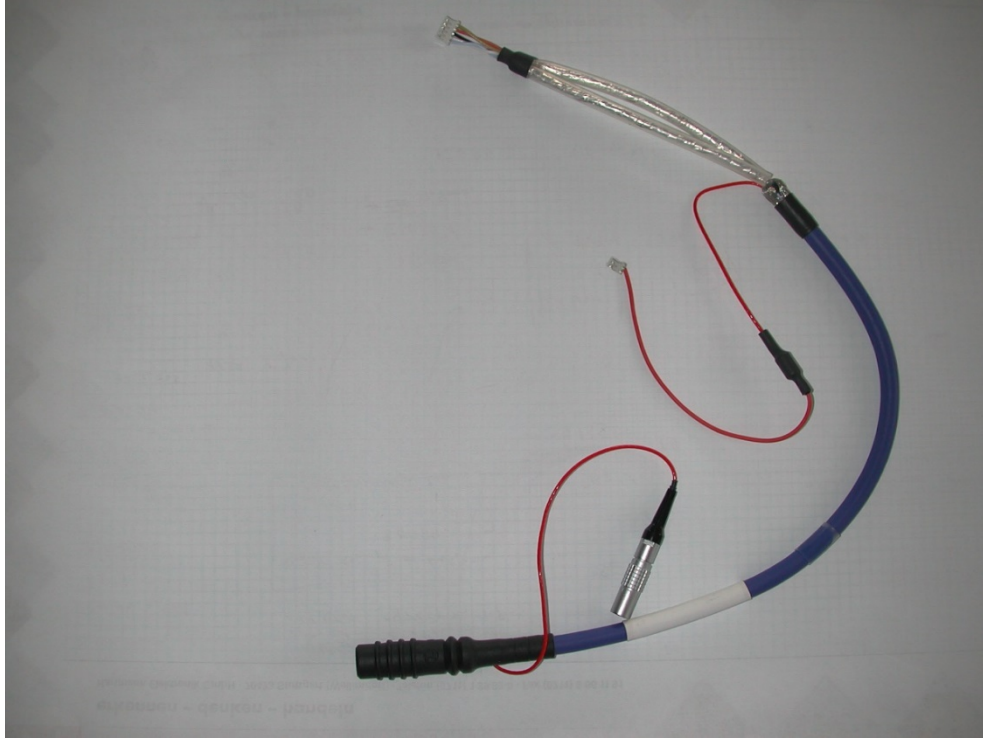


Figure 1 View

1.1 Installation

Permanent Power Supply inside ECU not available.

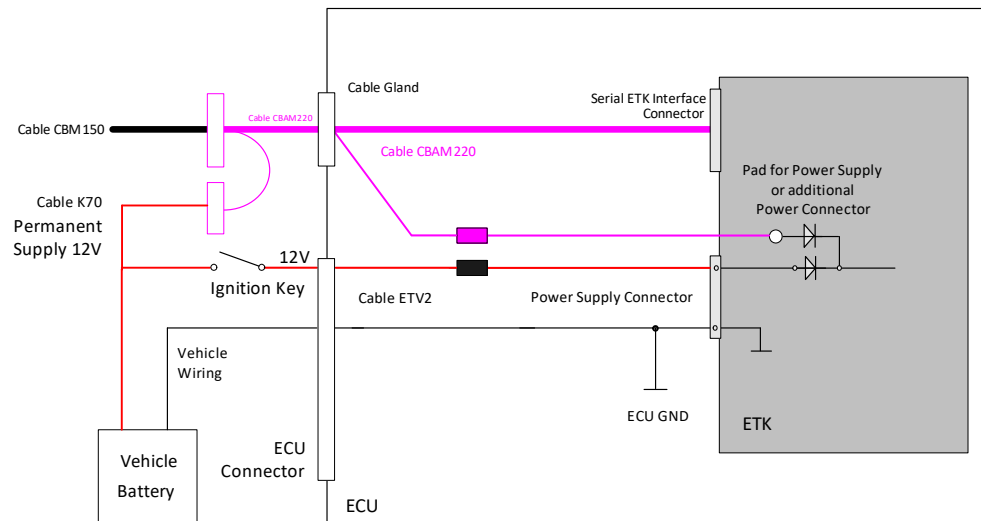


Figure 2 Installation

i NOTE

It is recommended for safety reasons to connect the external permanent voltage and the switched voltage inside the ECU!

i NOTE

For using the cable with an ETK with solder pad for the additional UBat Input, cut the plug and solder the wire direct to the solder pad.

2 Technical Data

2.1 Mechanical Dimensions

All measurements in mm.

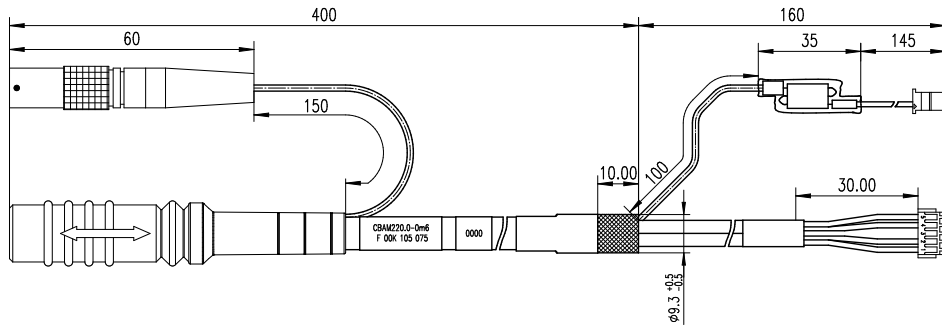


Figure 3 Mechanical Dimensions

2.2 Temperature Range

Condition	Temperature
Operating Temperature	-40°C - +125°C

3 Ordering Information

Short Name	Order - Number
CBAM220-0m6	F 00K 105 075
K70.1	F 00K 109 270
ETV2	F 00K 000 593

4 ETAS Contact Addresses

ETAS Headquarters

ETAS GmbH
Borsigstraße 24
70469 Stuttgart
Germany

Phone: +49 711 3423-0
Fax: +49 711 3423-2106
Internet: www.etas.com

ETAS Subsidiaries and Technical Support

For details of your local sales office as well as your local technical support team and product hotlines, take a look at the ETAS website:

ETAS subsidiaries Internet: www.etas.com/en/contact.php
ETAS technical support Internet: www.etas.com/en/hotlines.php

Figures

Figure 1	View	4
Figure 2	Installation.....	5
Figure 3	Mechanical Dimensions.....	6